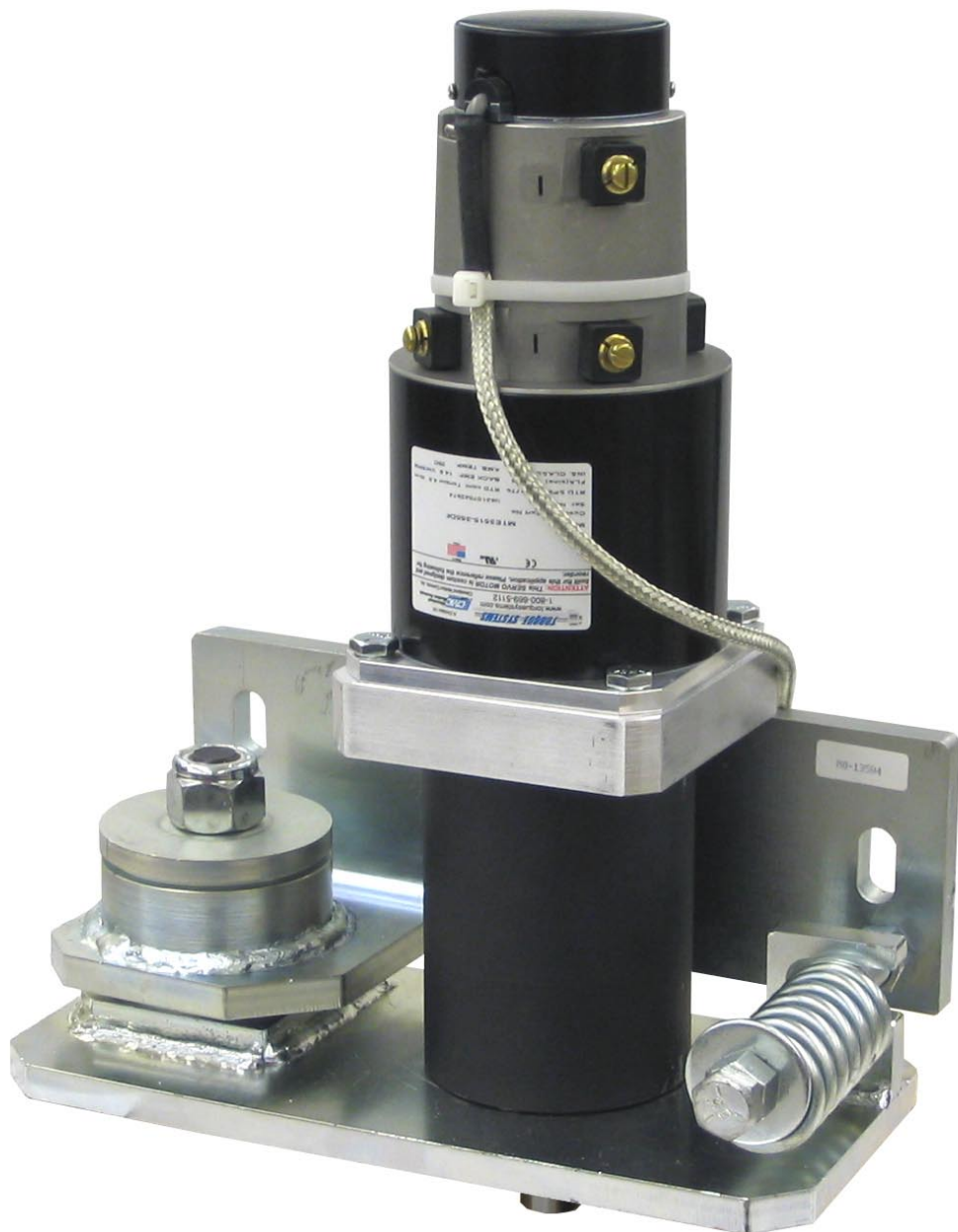
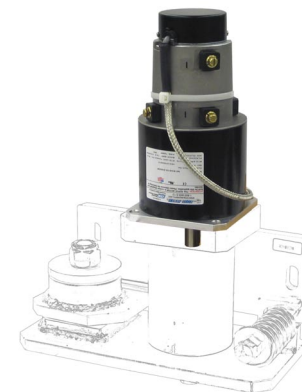




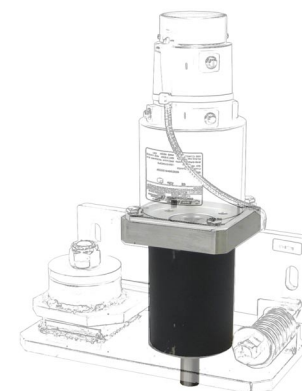
Motors, Gearboxes & Mounts For Use With: Burny Phantom Series



Motor & Encoder:
D08-33940



AP-10 Series Gearbox:
15:1 Ratio = C08-34135-015
25:1 Ratio = C08-34135-025



Motor Mount:
MO-13594

