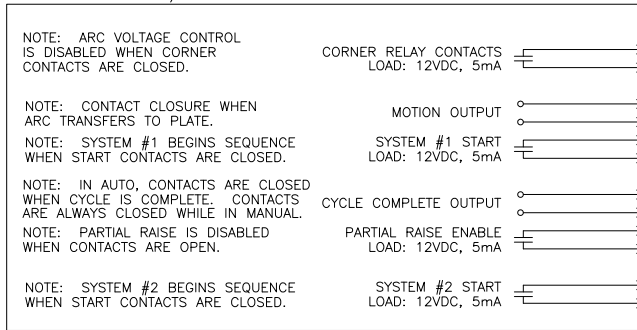
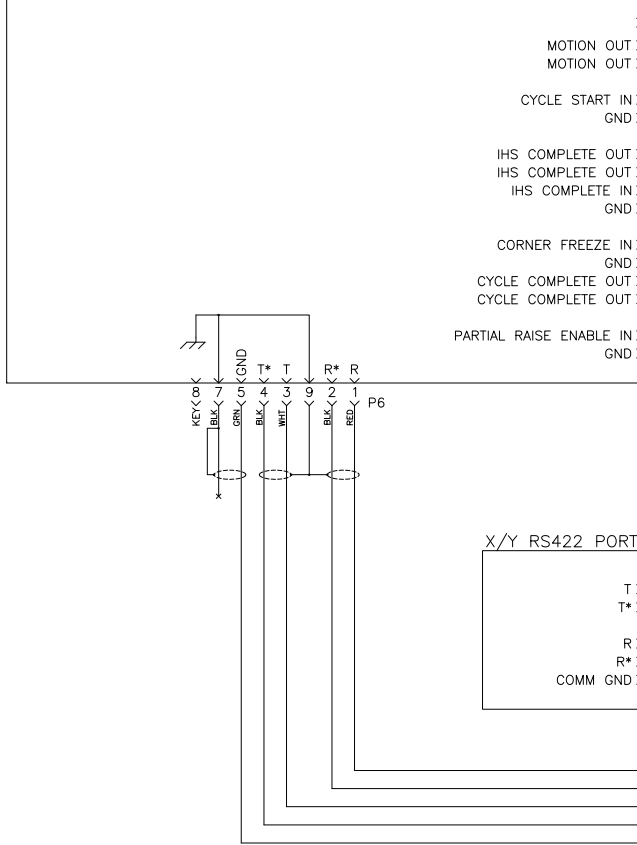


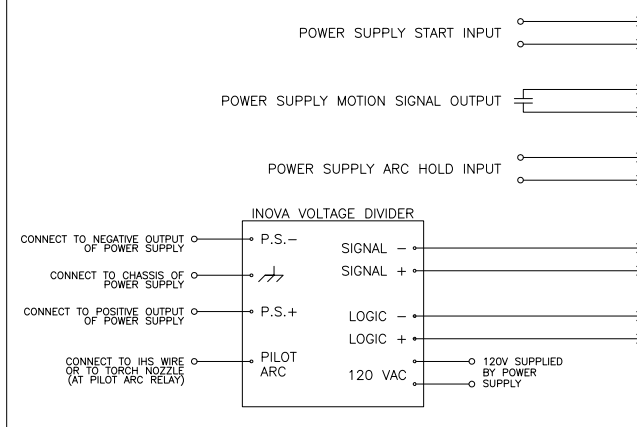
X/Y MACHINE INTERFACE



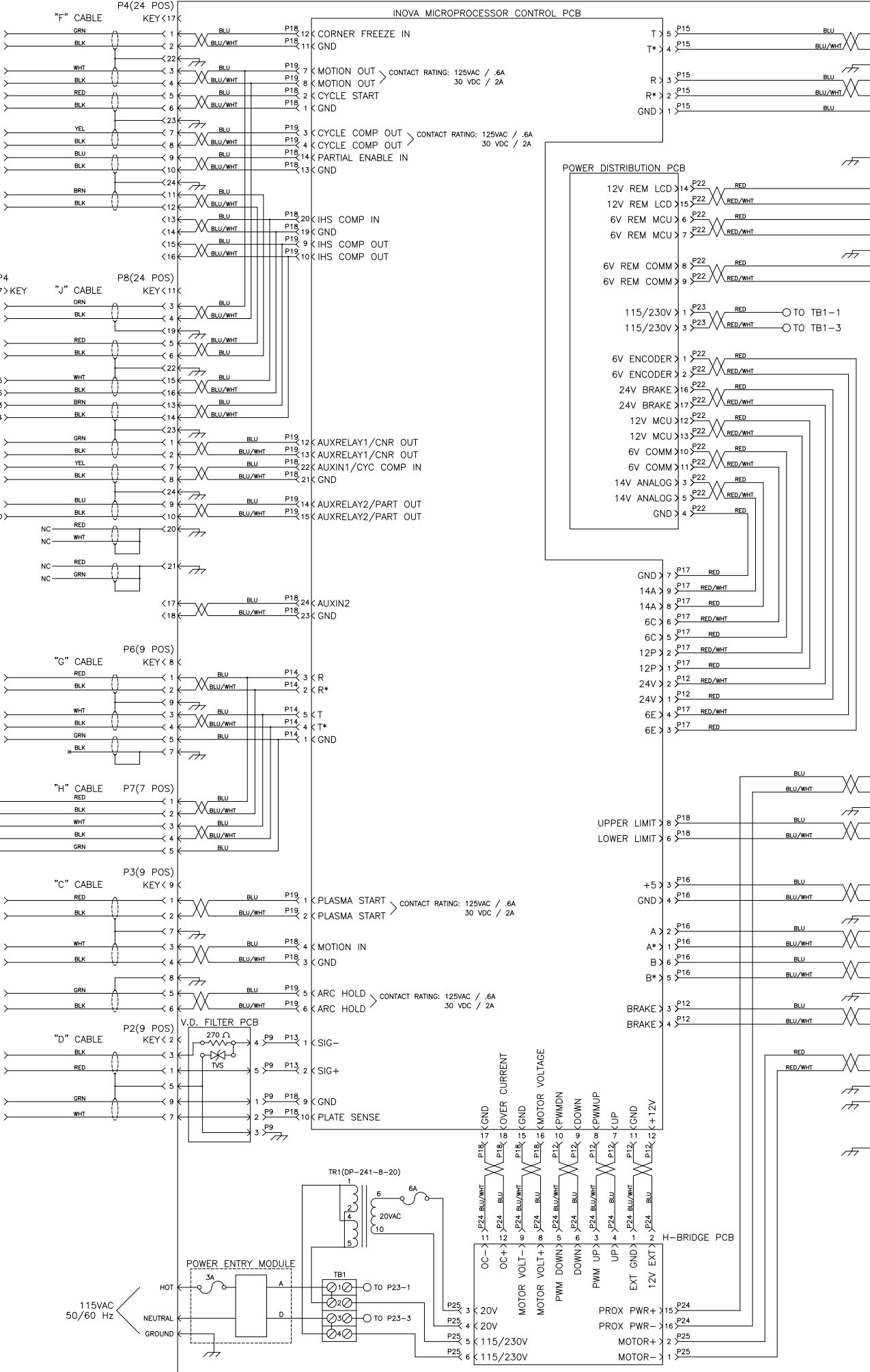
INOVA CONTROL CONSOLE #2



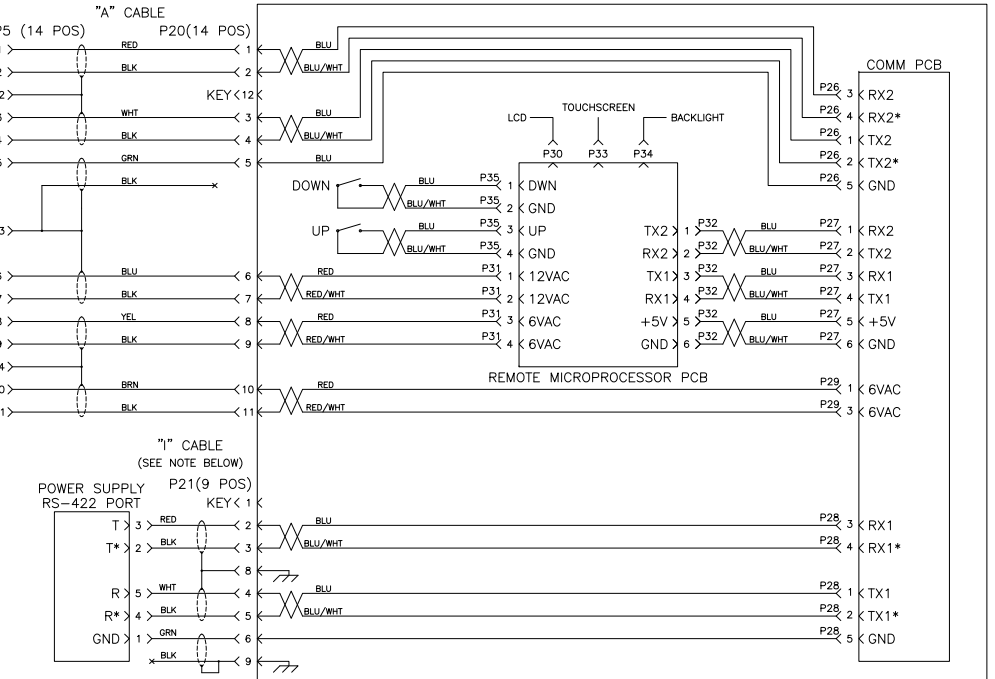
PLASMA POWER SUPPLY



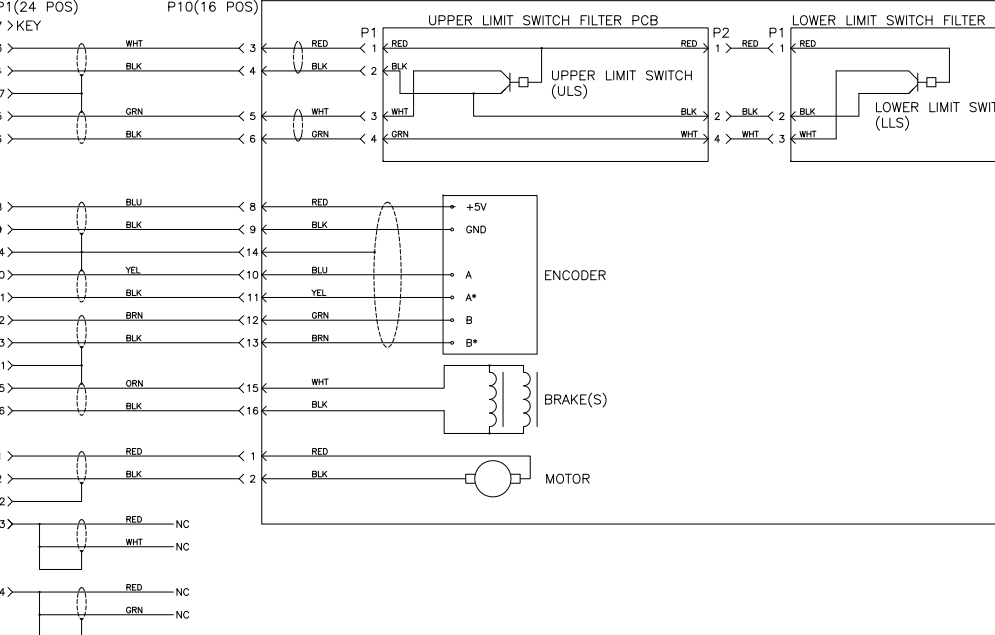
INOVA CONTROL CONSOLE



INOVA REMOTE CONTROL UNIT



INOVA POSITIONER



KALIBURN		
SCALE: NONE	APPROVED BY:	DRAWN BY: JTH
DATE: 5/10/07		REVISION: 3
INOVA SYSTEM SCHEMATIC (115VAC)		
TOLERANCE: .XX	.XXX	ANGLE
		DRAWING NUMBER: D-111500