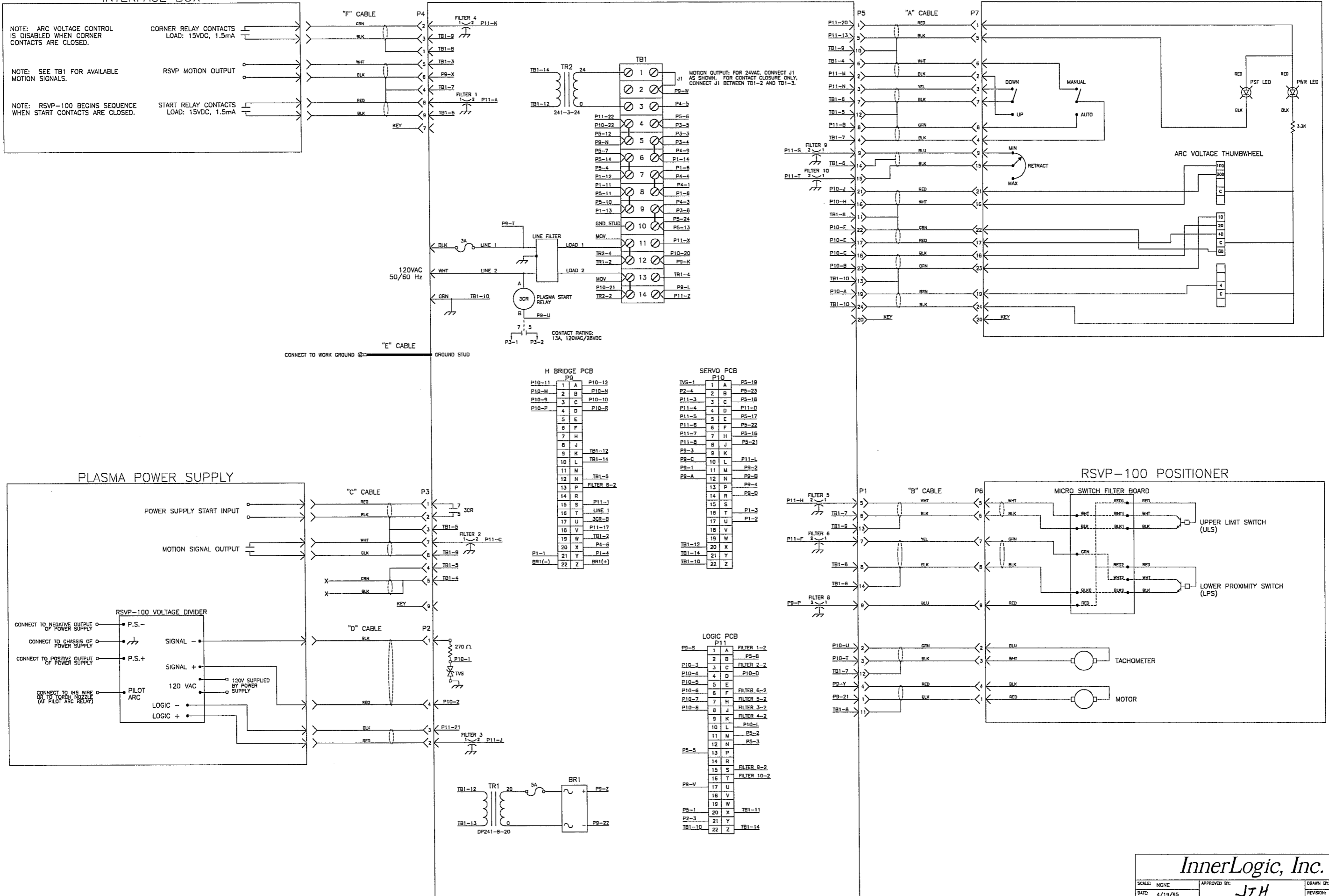


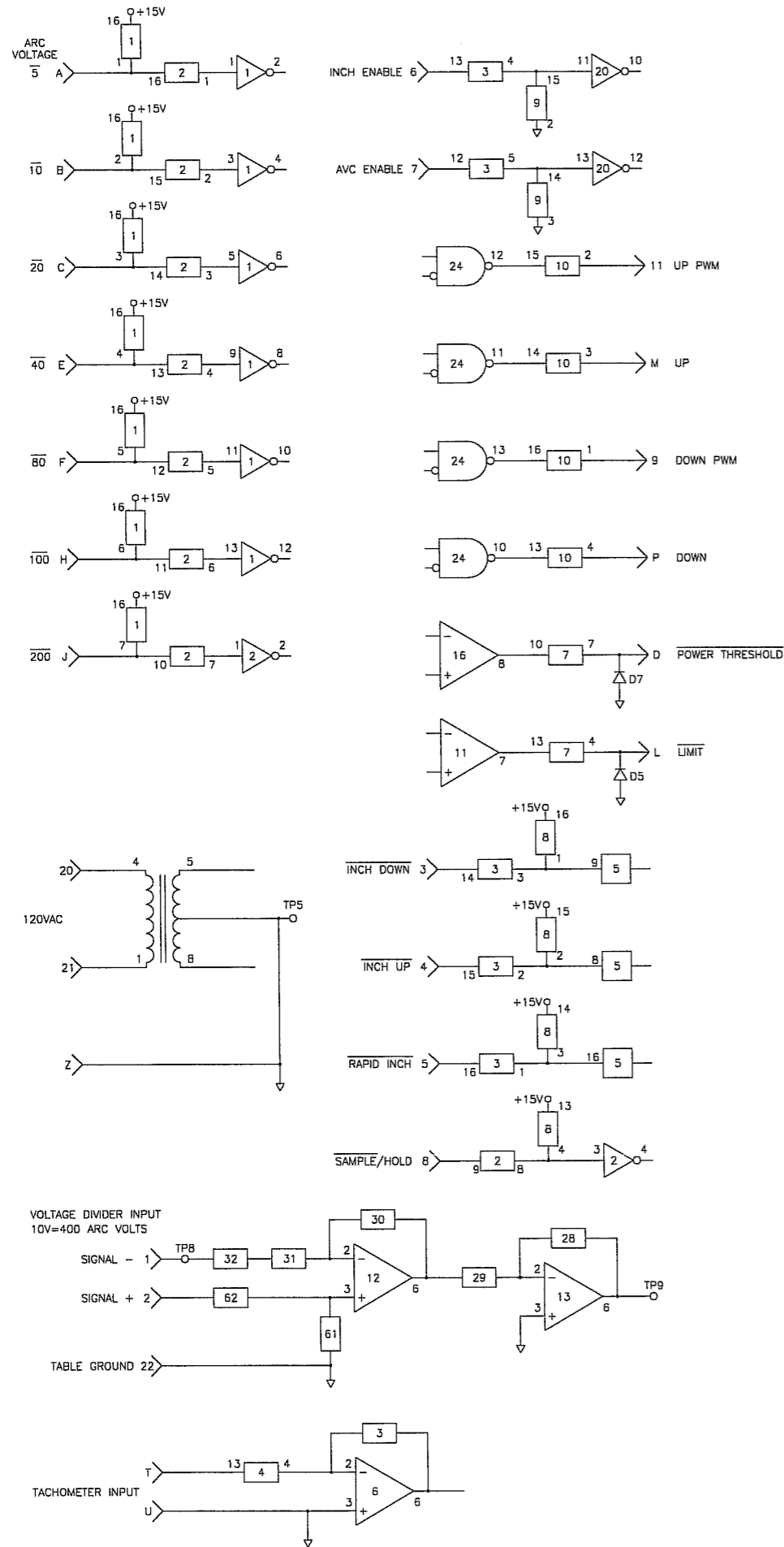
INTERFACE BOX

RSVP-100 CONTROL CONSOLE

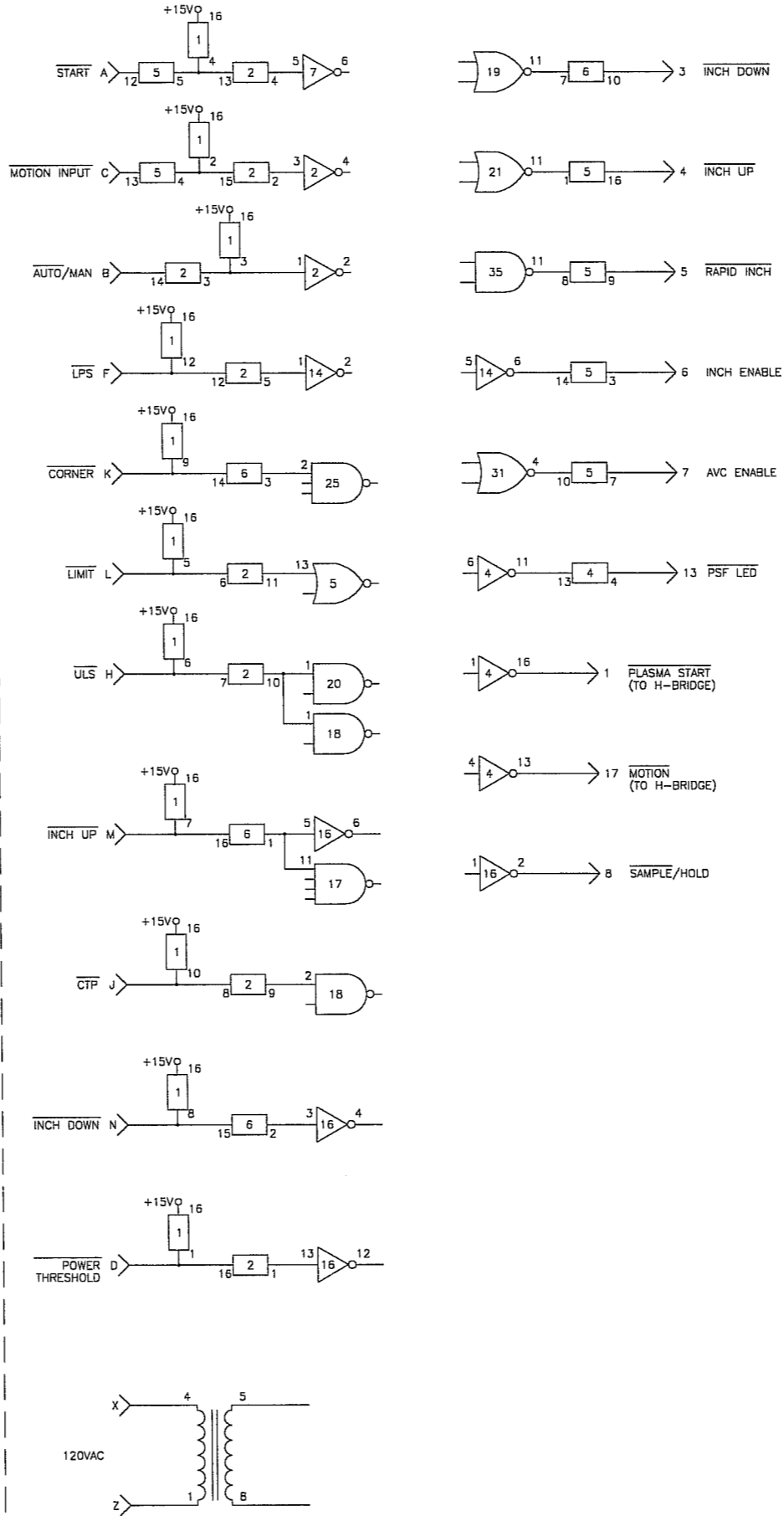
RSVP-100 REMOTE



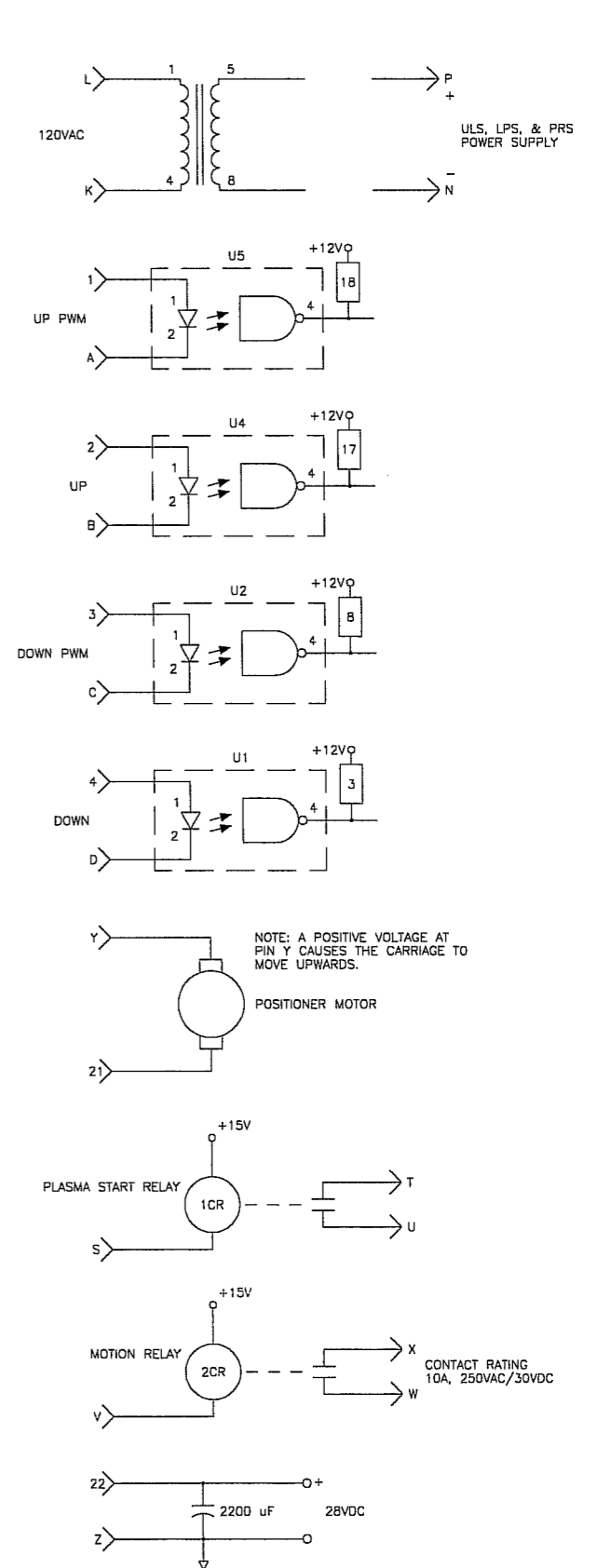
SERVO PCB
P10 CONNECTOR



LOGIC PCB
P11 CONNECTOR



H BRIDGE PCB
P9 CONNECTOR



InnerLogic, Inc.

SCALE: NONE	APPROVED BY: <i>JTH</i>	DRAWN BY: JTH	REVISION: 1
RSVP-100/100 HEAVY PCB I/O			
TOLERANCE: ..XX	..XXX	ANGLE	DRAWING NUMBER: