

INTERFACE BOX

RSVP-101 CONTROL CONSOLE

RSVP-101 REMOTE

NOTE: ARC VOLTAGE CONTROL IS DISABLED WHEN CORNER CONTACTS ARE CLOSED.

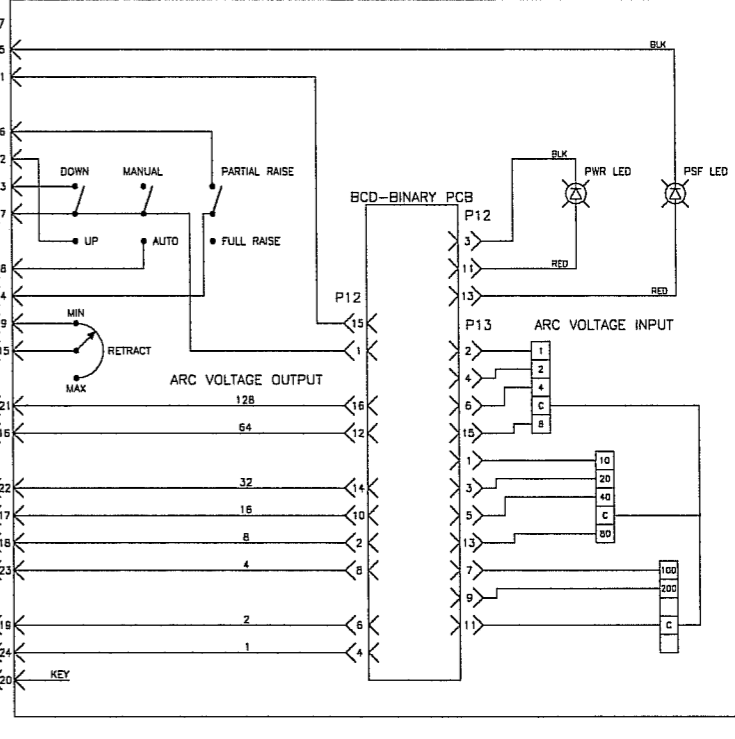
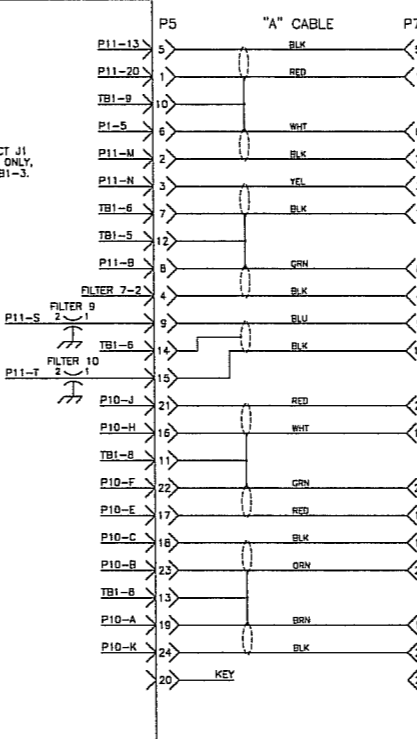
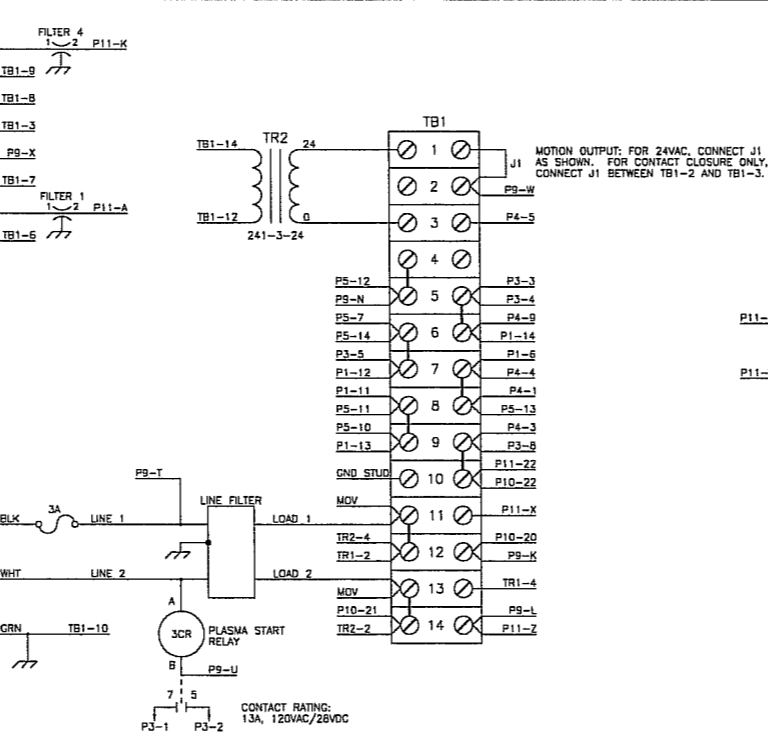
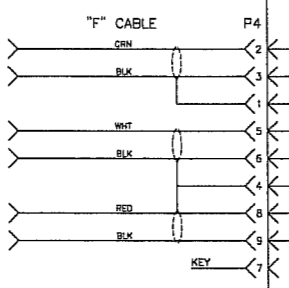
NOTE: SEE TB1 FOR AVAILABLE MOTION SIGNALS.

NOTE: RSVP-101 BEGINS SEQUENCE WHEN START CONTACTS ARE CLOSED.

CORNER RELAY CONTACTS
LOAD: 15VDC, 1.5mA

RSVP MOTION OUTPUT

START RELAY CONTACTS
LOAD: 15VDC, 1.5mA



H BRIDGE PCB

P10-11	1	A	P10-12
P10-M	2	B	P10-N
P10-9	3	C	P10-10
P10-P	4	D	P10-R
	5	E	
	6	F	
	7	H	
	8	J	TB1-12
	9	K	TB1-14
	10	L	
	11	M	TB1-5
	12	N	
	13	P	FILTER 8-2
	14	R	
	15	S	P11-1
	16	T	LINE 1
	17	U	SCR-B
	18	V	P11-17
	19	W	TB1-2
	20	X	P4-6
P1-1	21	Y	P1-4
BR1(-)	22	Z	BR1(+)

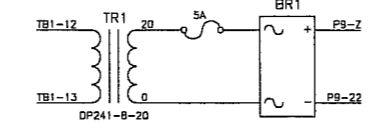
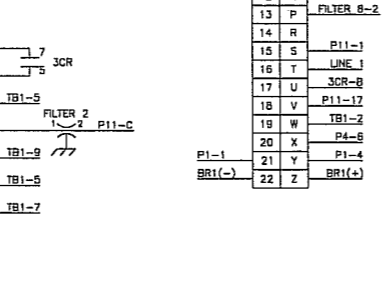
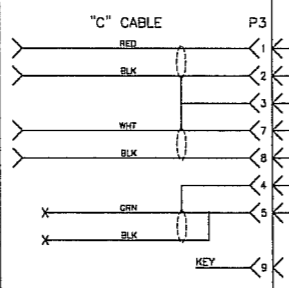
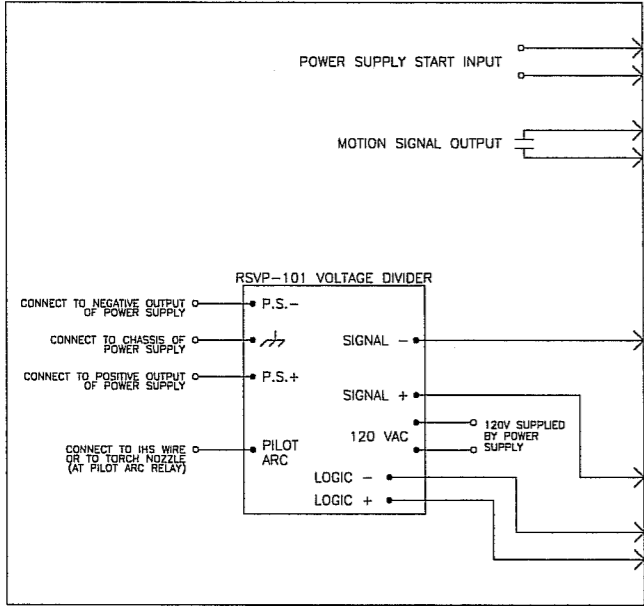
SERVO PCB

TVS-1	1	A	PS-19
P2-4	2	B	PS-23
P11-3	3	C	PS-18
P11-4	4	D	P11-0
P11-5	5	E	PS-17
P11-6	6	F	PS-22
P11-7	7	H	PS-16
P11-8	8	J	PS-21
P9-3	9	K	PS-24
P9-C	10	L	P11-1
P9-1	11	M	P9-2
P9-A	12	N	P9-B
	13	P	P9-4
	14	R	P9-D
	15	S	
	16	T	P1-3
	17	U	P1-2
	18	V	
	19	W	
TB1-12	20	X	
TB1-14	21	Y	
TB1-10	22	Z	

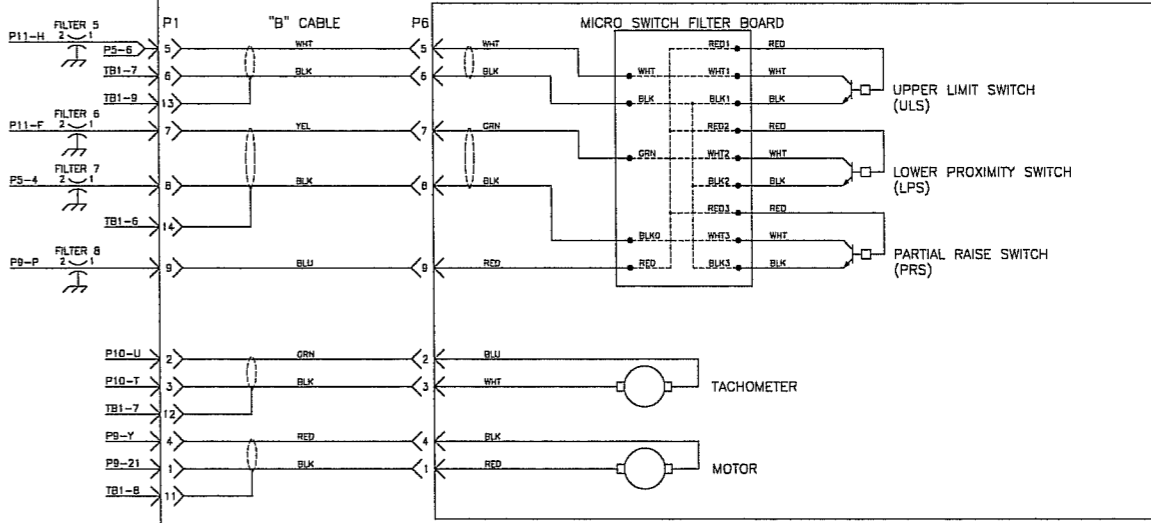
LOGIC PCB

P9-5	1	A	FILTER 1-2
P10-3	2	B	PS-8
P10-4	3	C	FILTER 2-2
P10-5	4	D	P10-D
P10-6	5	E	FILTER 6-2
P10-7	6	F	FILTER 5-2
P10-8	7	H	FILTER 3-2
	8	J	FILTER 4-2
	9	K	FILTER 9-2
	10	L	FILTER 10-2
	11	M	
	12	N	
PS-5	13	P	
	14	R	
	15	S	
	16	T	
P9-V	17	U	
	18	V	
	19	W	
PS-1	20	X	TB1-11
P2-3	21	Y	
TB1-10	22	Z	TB1-14

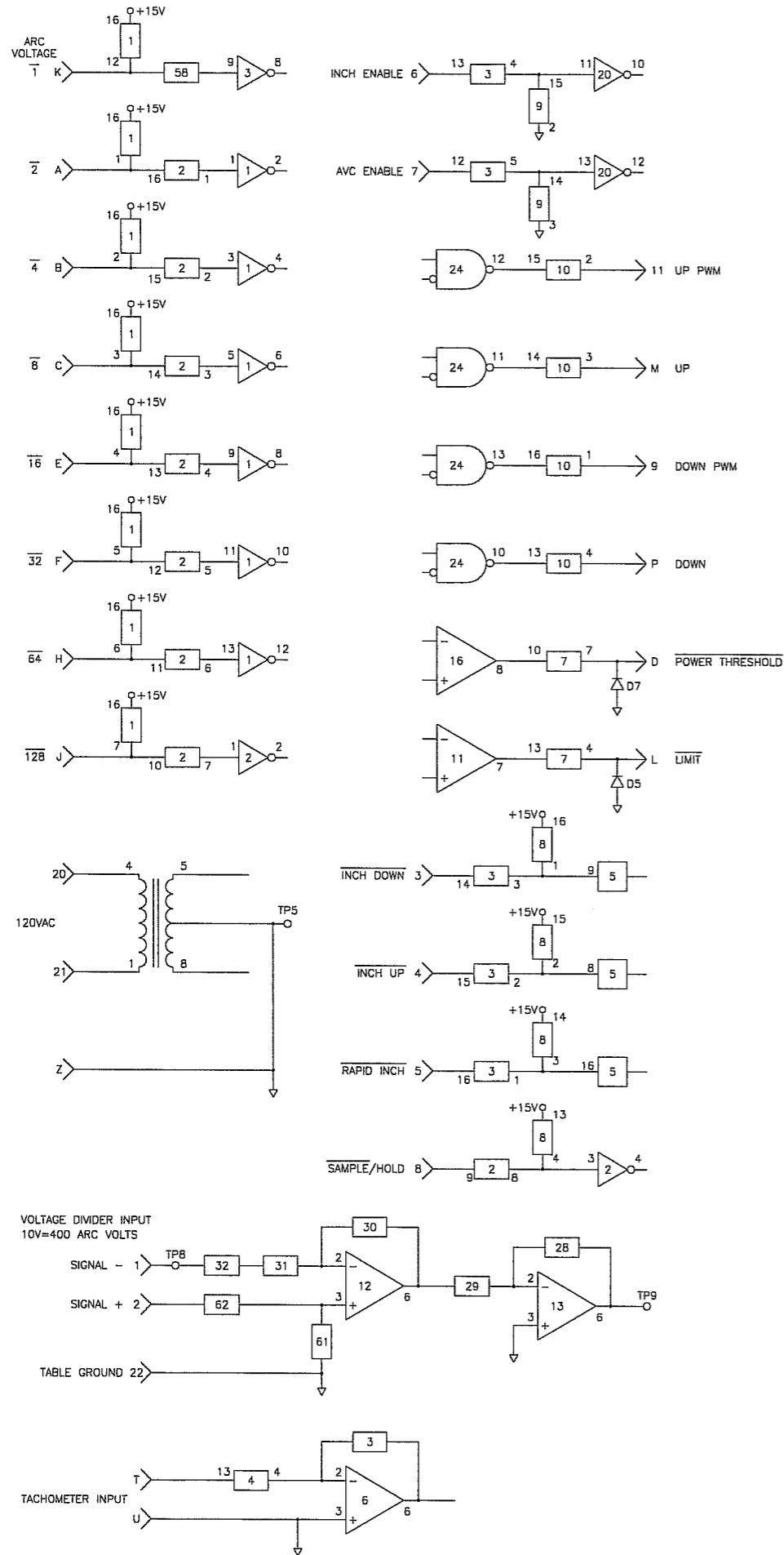
PLASMA POWER SUPPLY



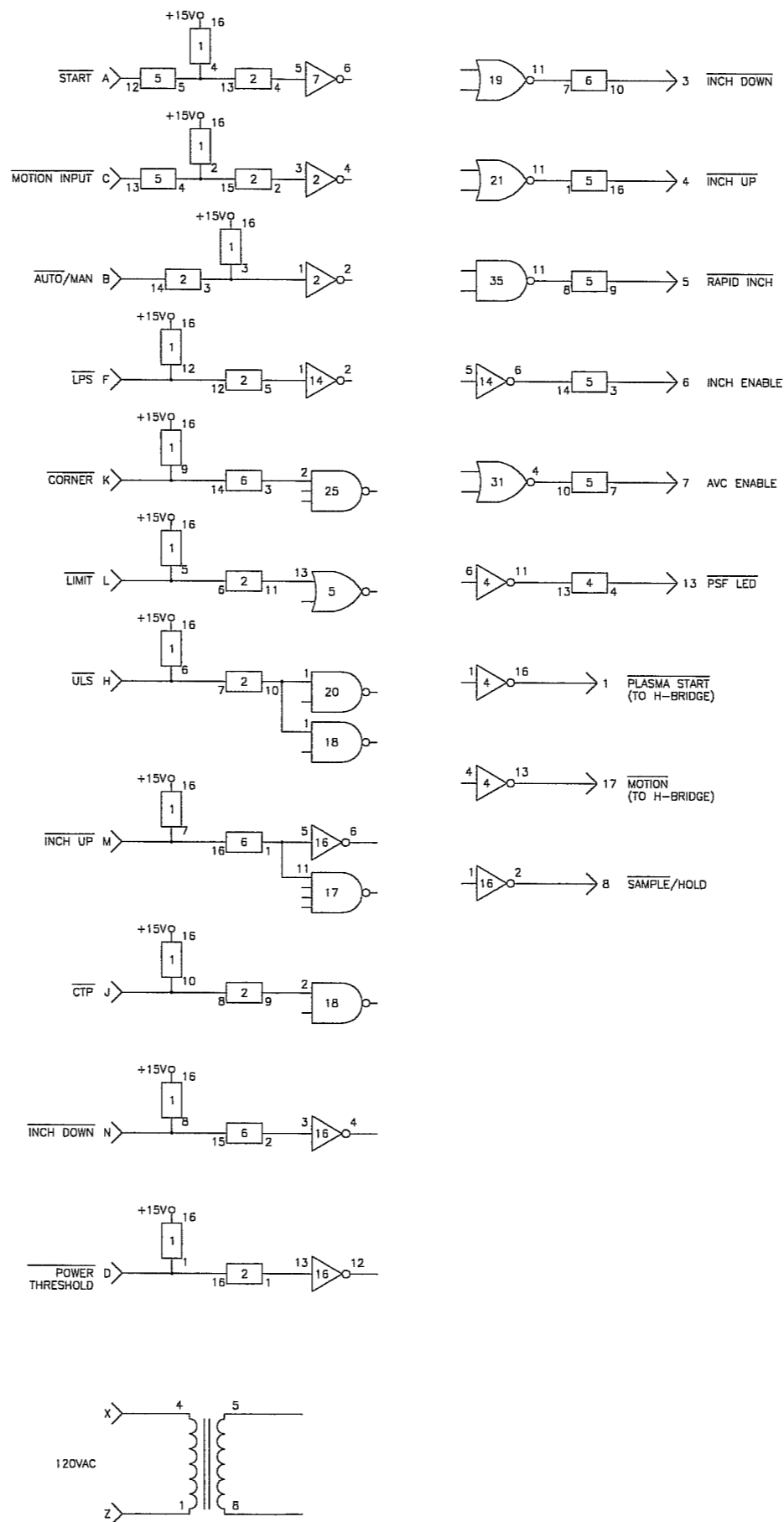
RSVP-101 POSITIONER



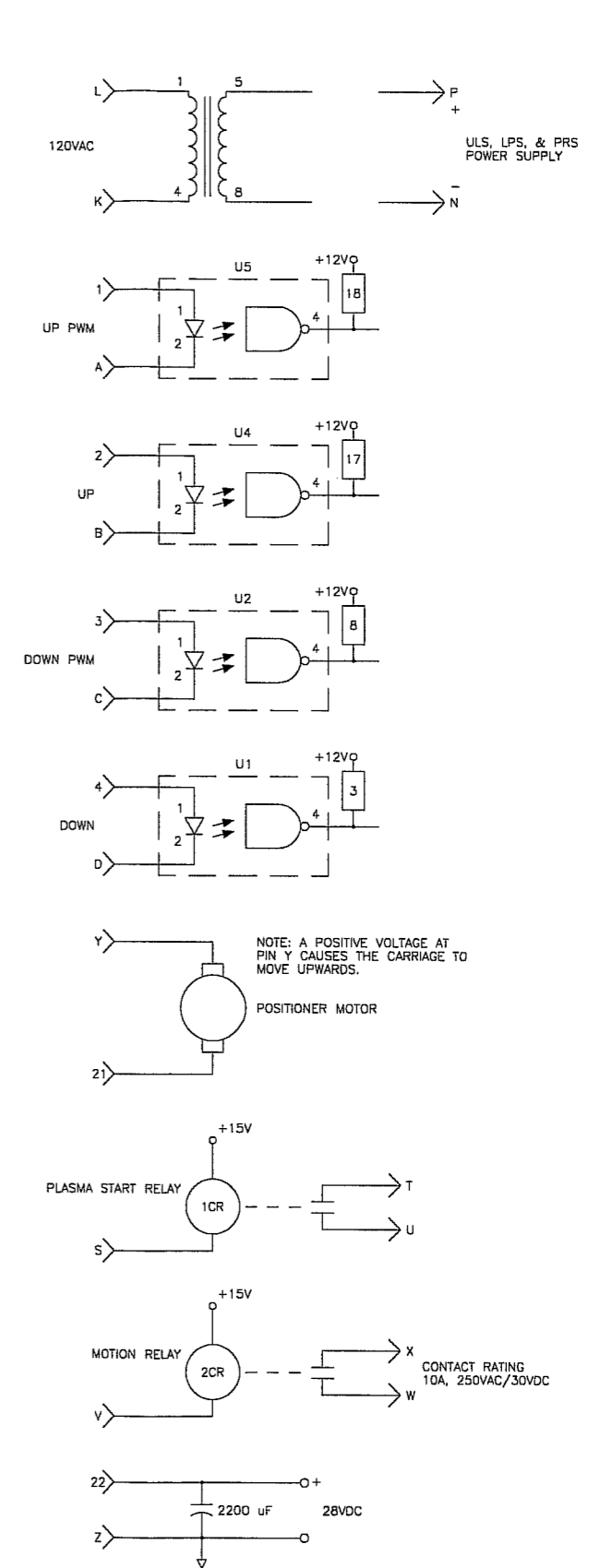
SERVO PCB
P10 CONNECTOR



LOGIC PCB
P11 CONNECTOR



H BRIDGE PCB
P9 CONNECTOR



InnerLogic, Inc.		
SCALE: NONE	APPROVED BY: JTH	DRAWN BY: JTH
DATE: 6/9/93		REVISION: 1
RSVP-101SS/101SS HEAVY/300 PCB I/O		
TOLERANCE: XX		DRAWING NUMBER:

INTERFACE BOX

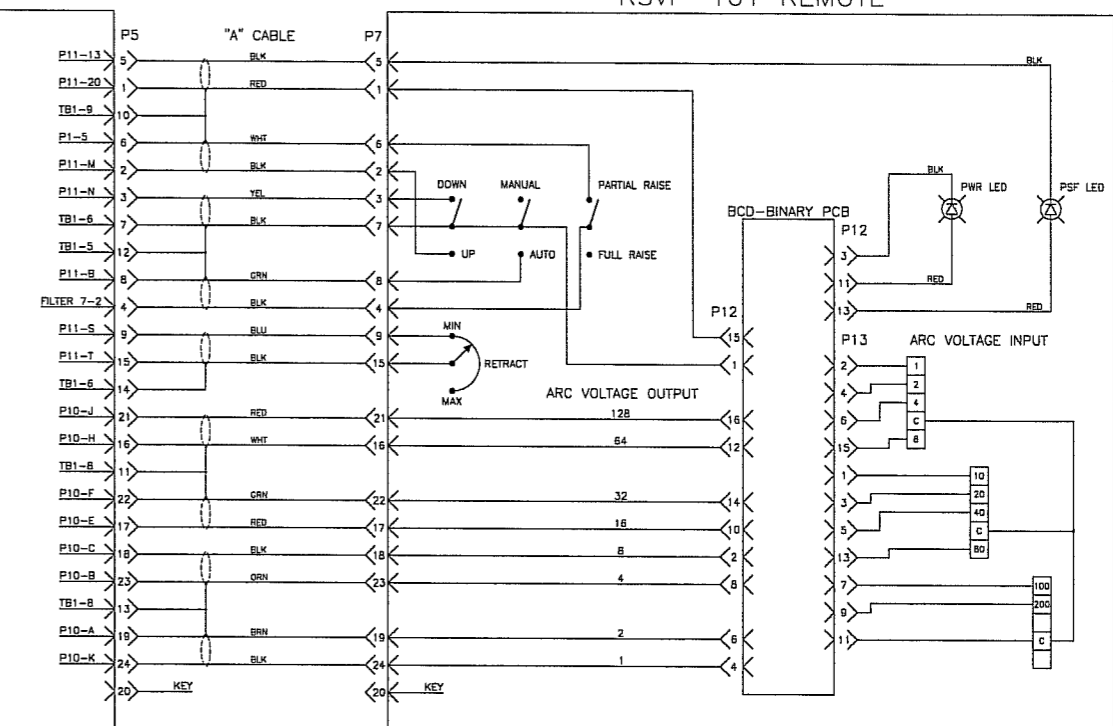
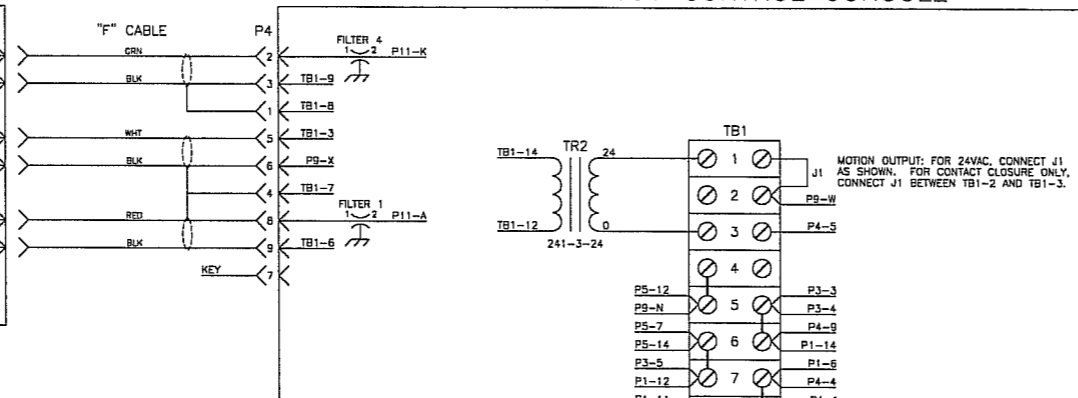
RSVP-101 CONTROL CONSOLE

RSVP-101 REMOTE

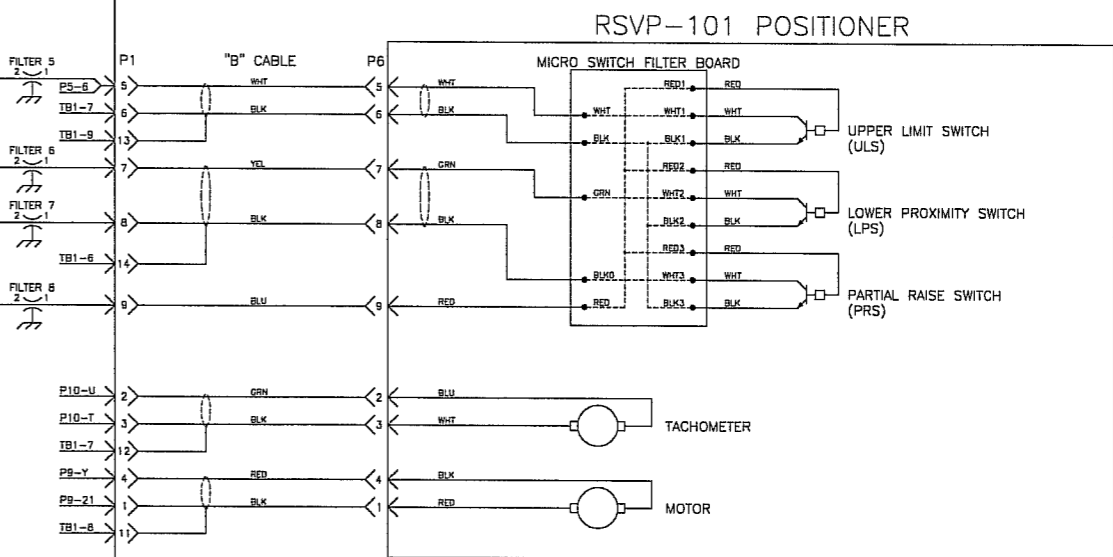
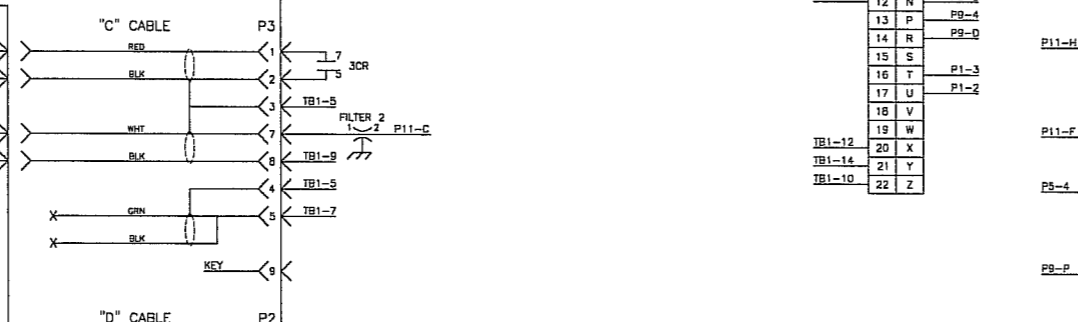
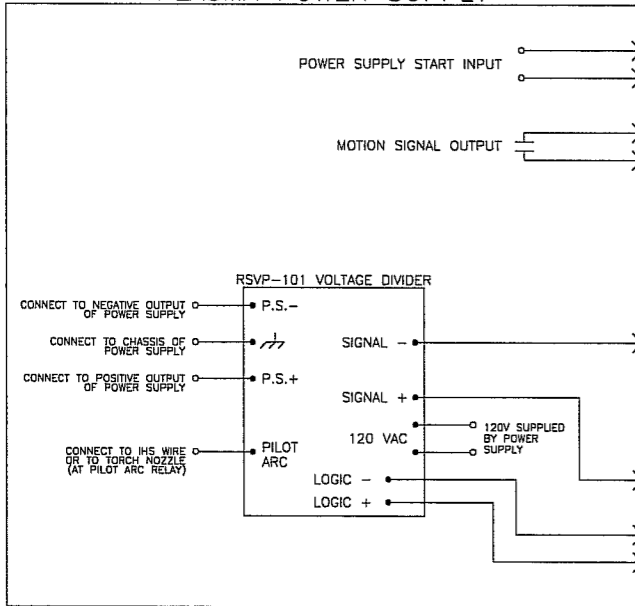
NOTE: ARC VOLTAGE CONTROL IS DISABLED WHEN CORNER CONTACTS ARE CLOSED.

NOTE: SEE TB1 FOR AVAILABLE MOTION SIGNALS.

NOTE: RSVP-101/300 BEGINS SEQUENCE WHEN START CONTACTS ARE CLOSED.



PLASMA POWER SUPPLY



InnerLogic, Inc.

SCALE: NONE APPROVED BY: JTH DRAWN BY: JTH

DATE: 7/15/94 REVISION: 1

RSVP-101SS/101SS HEAVY SYSTEM SCHEMATIC (220V)