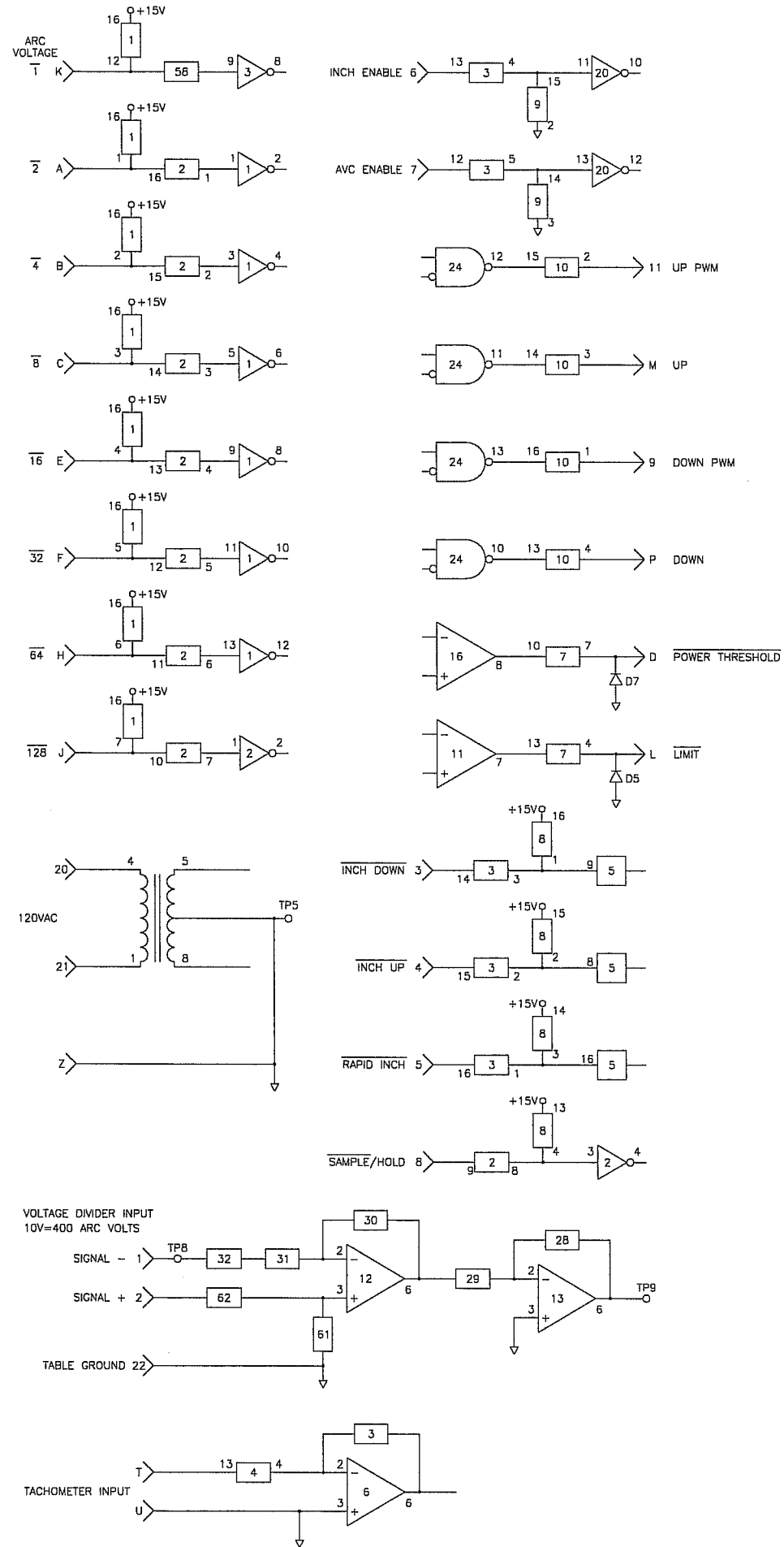
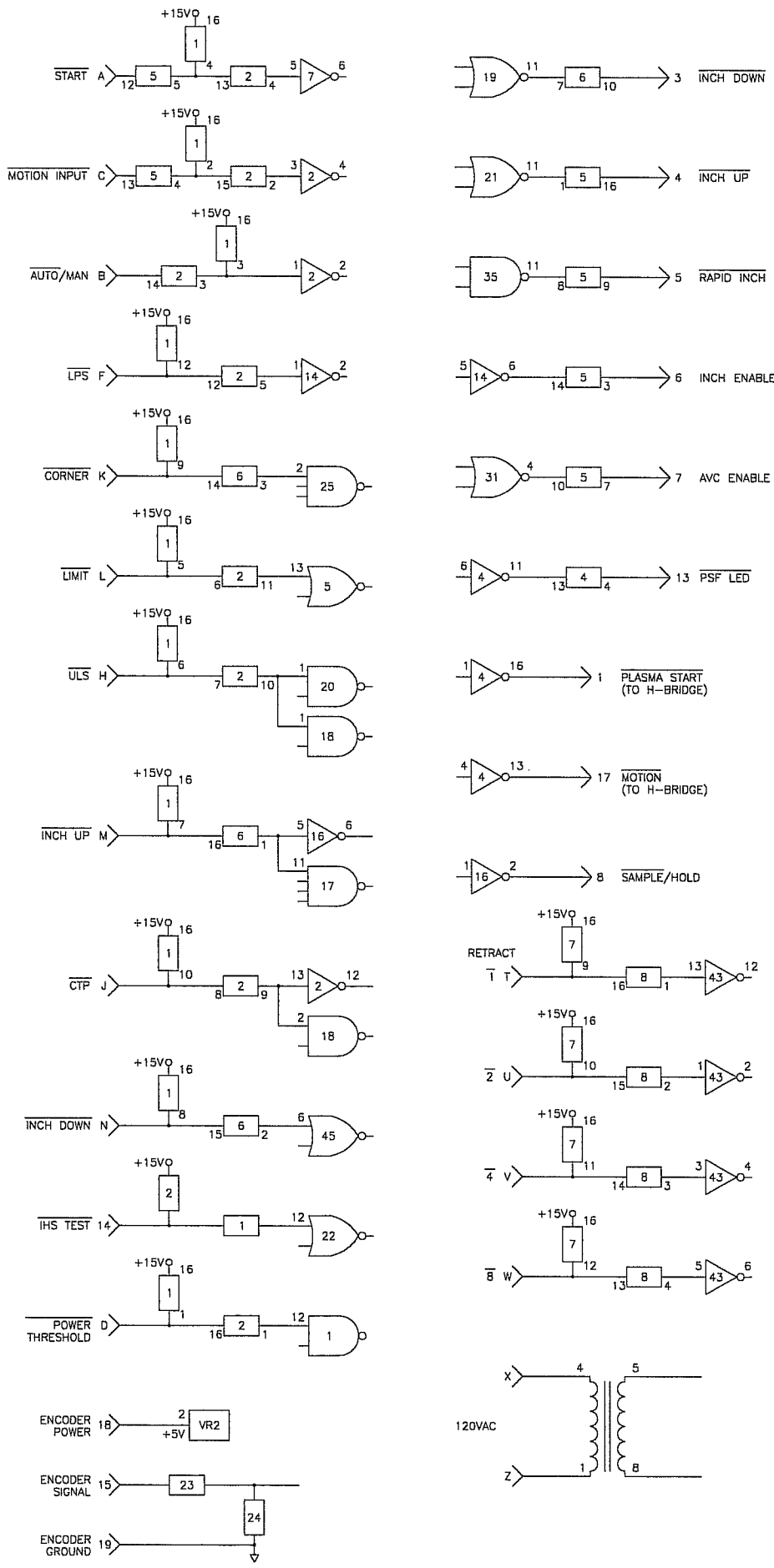


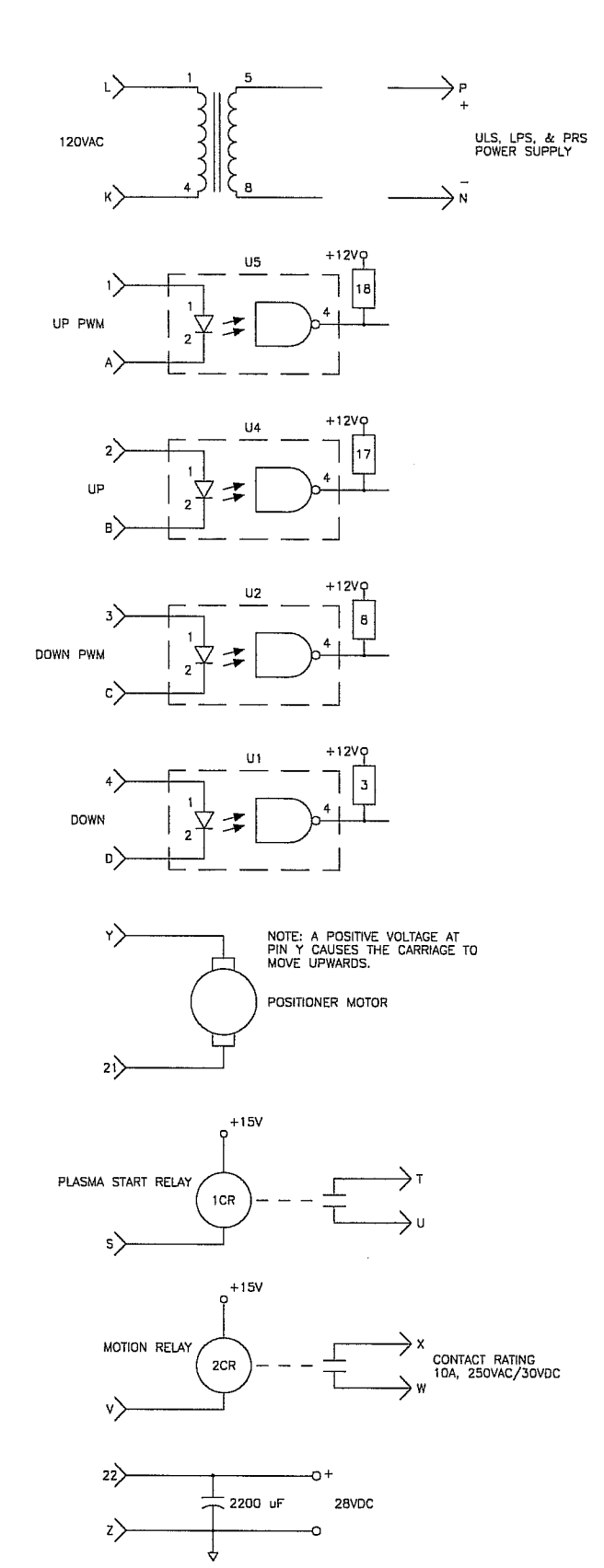
SERVO PCB
P10 CONNECTOR



LOGIC PCB
P11 CONNECTOR



H BRIDGE PCB
P9 CONNECTOR



InnerLogic, Inc.		
SCALE: NONE	APPROVED BY: J+H	DRAWN BY: JTH
DATE: 6/10/93		REVISION: 1
RSVP-301 PCB I/O		
TOLERANCE: .005	ANGLE: 45°	DRAWING NUMBER:

INTERFACE BOX

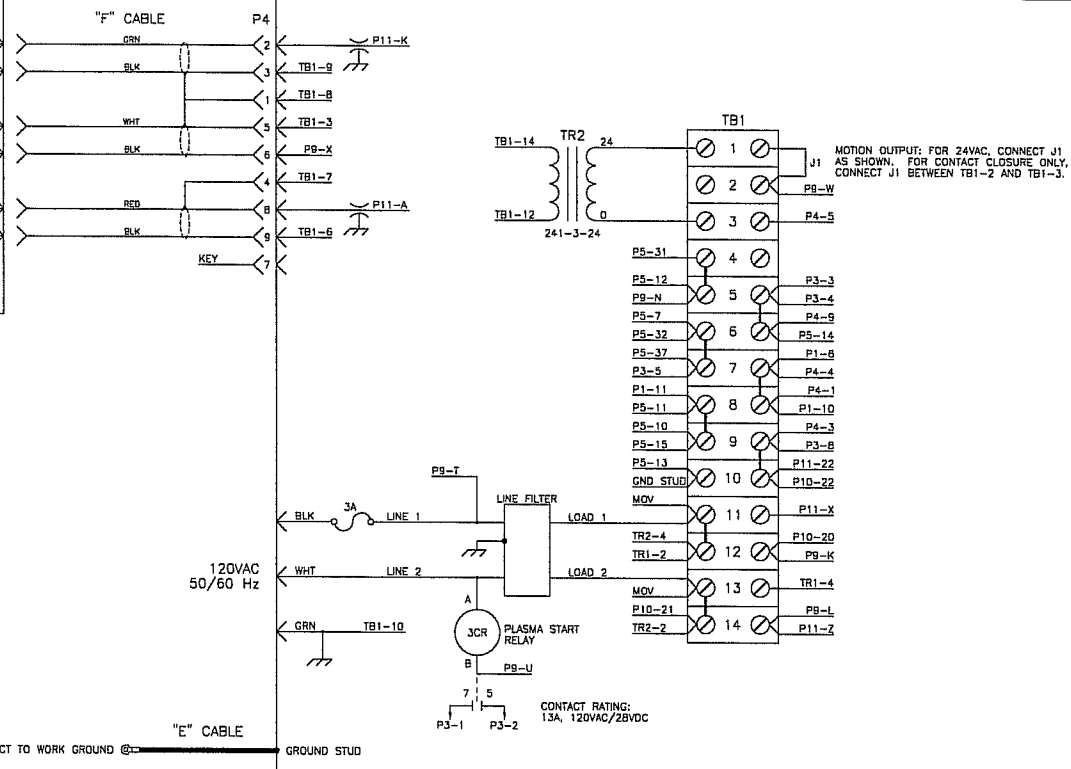
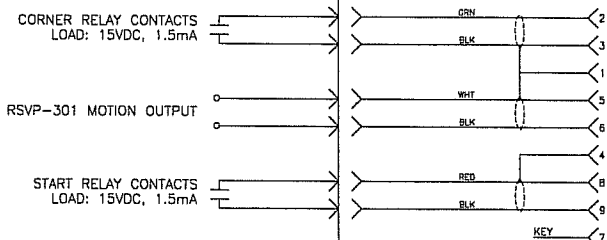
RSVP-301 CONTROL CONSOLE

RSVP-301 REMOTE

NOTE: ARC VOLTAGE CONTROL IS DISABLED WHEN CORNER CONTACTS ARE CLOSED.

NOTE: SEE TB1 FOR AVAILABLE MOTION SIGNALS.

NOTE: RSVP-301 BEGINS SEQUENCE WHEN START CONTACTS ARE CLOSED.



H BRIDGE PCB

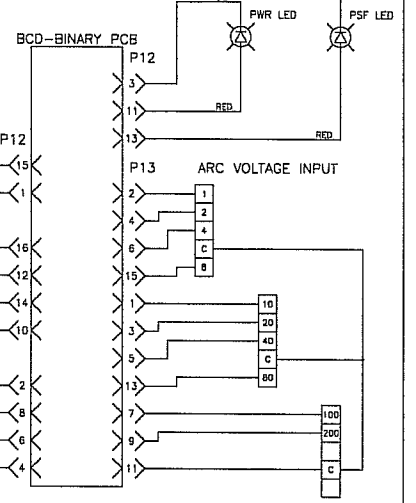
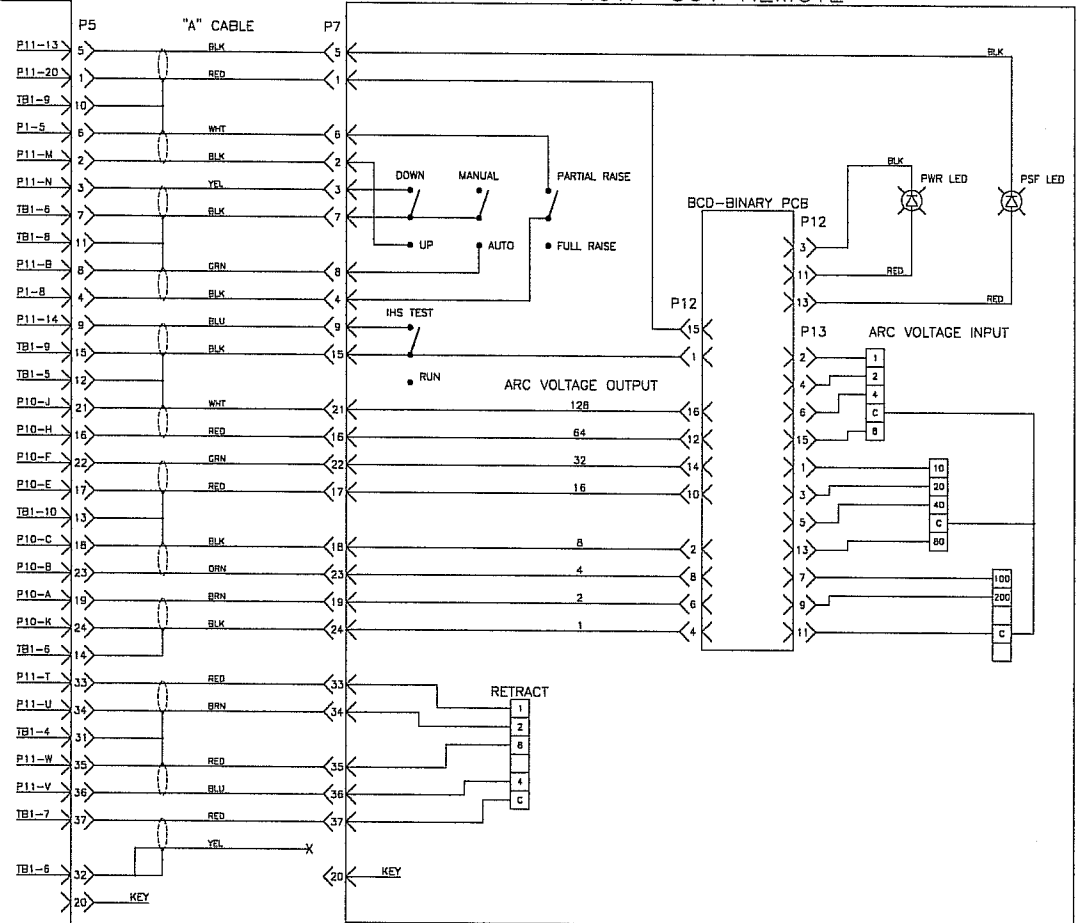
P10-11	1 A	P10-12
P10-M	2 B	P10-N
P10-9	3 C	P10-10
P10-P	4 D	P10-R
	5 E	
	6 F	
	7 H	
	8 J	TB1-12
	9 K	TB1-14
	10 L	
	11 M	TB1-5
	12 N	
	13 P	P1-9
	14 R	
	15 S	P11-1
	16 T	LINE 1
	17 U	3CR-B
	18 V	P11-17
	19 W	TB1-2
	20 X	P4-6
P1-1	21 Y	P1-4
BR1(-)	22 Z	BR1(+)

SERVO PCB

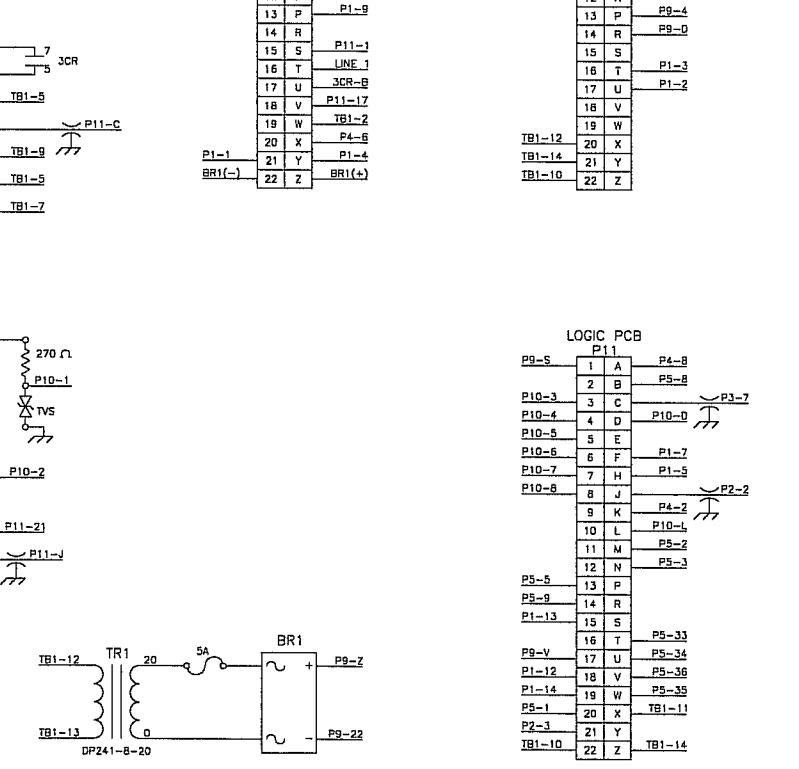
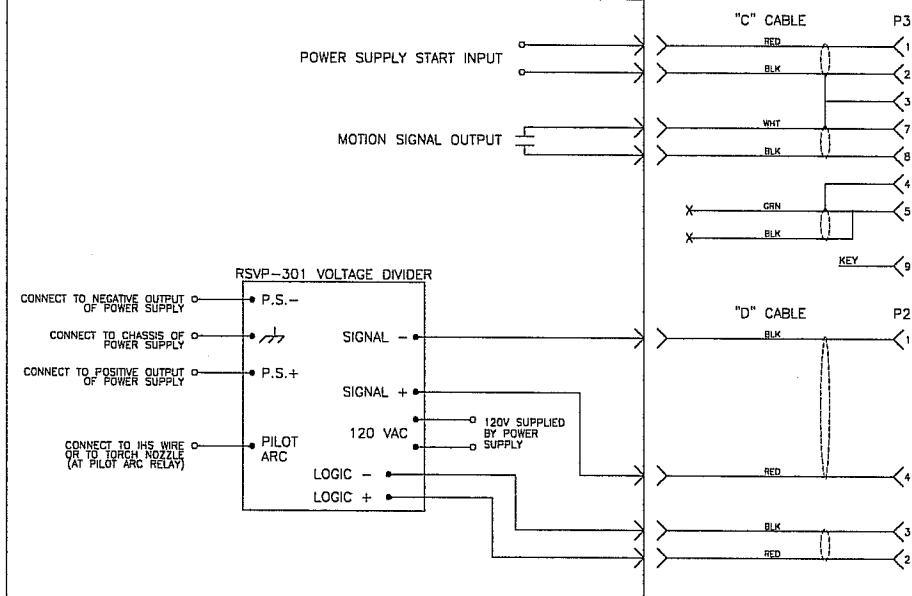
TVS-1	1 A	P5-19
P2-4	2 B	P5-23
P11-3	3 C	P5-18
P11-4	4 D	P11-D
P11-5	5 E	P5-17
P11-6	6 F	P5-22
P11-7	7 H	P5-16
P11-8	8 J	P5-21
P9-3	9 K	P5-24
P8-C	10 L	P11-L
P8-1	11 M	P9-2
P8-A	12 N	P9-B
	13 P	P9-4
	14 R	P9-0
	15 S	
	16 T	P1-3
	17 U	P1-2
	18 V	
	19 W	
TB1-12	20 X	
TB1-14	21 Y	
TB1-10	22 Z	

LOGIC PCB

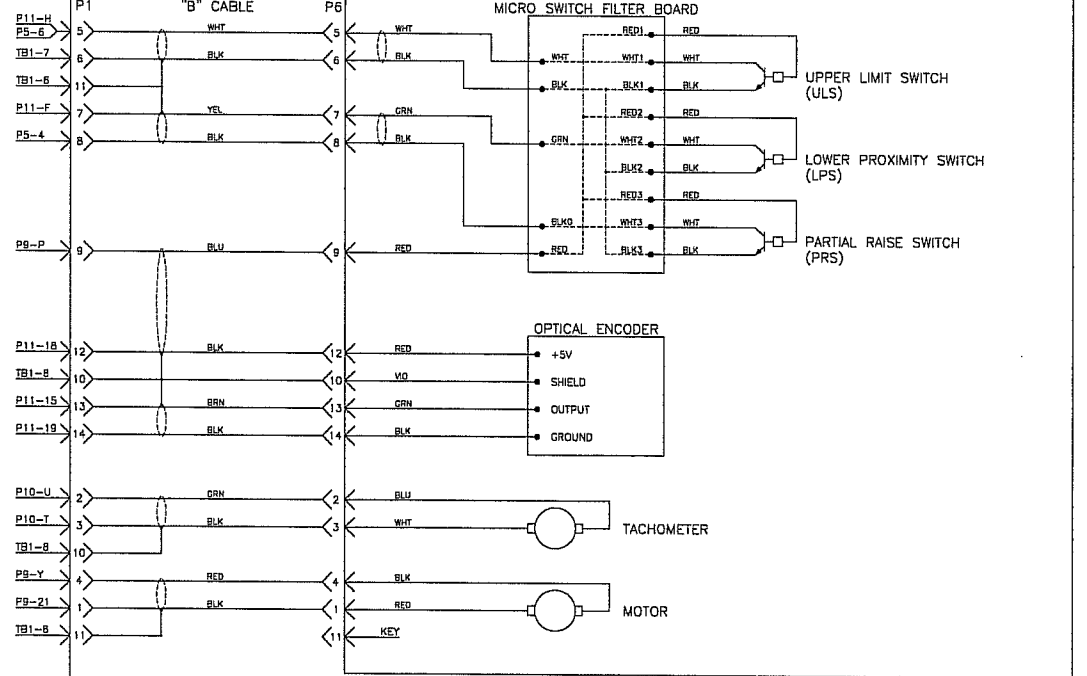
P9-S	1 A	P4-8
	2 B	P5-8
P10-3	3 C	P10-D
P10-4	4 D	
P10-5	5 E	P1-7
P10-6	6 F	P1-9
P10-7	7 H	
P10-8	8 J	P4-2
	9 K	P10-L
	10 L	P5-2
	11 M	P5-3
	12 N	
P5-5	13 P	P5-33
P5-8	14 R	
P1-13	15 S	P5-34
P9-V	16 T	P5-36
P1-12	17 U	P5-35
P1-14	18 V	
P5-1	19 W	TB1-11
P2-3	20 X	
TB1-10	21 Y	
	22 Z	TB1-14



PLASMA POWER SUPPLY



RSVP-301 POSITIONER



INTERFACE BOX

RSVP-301 CONTROL CONSOLE

RSVP-301 REMOTE

