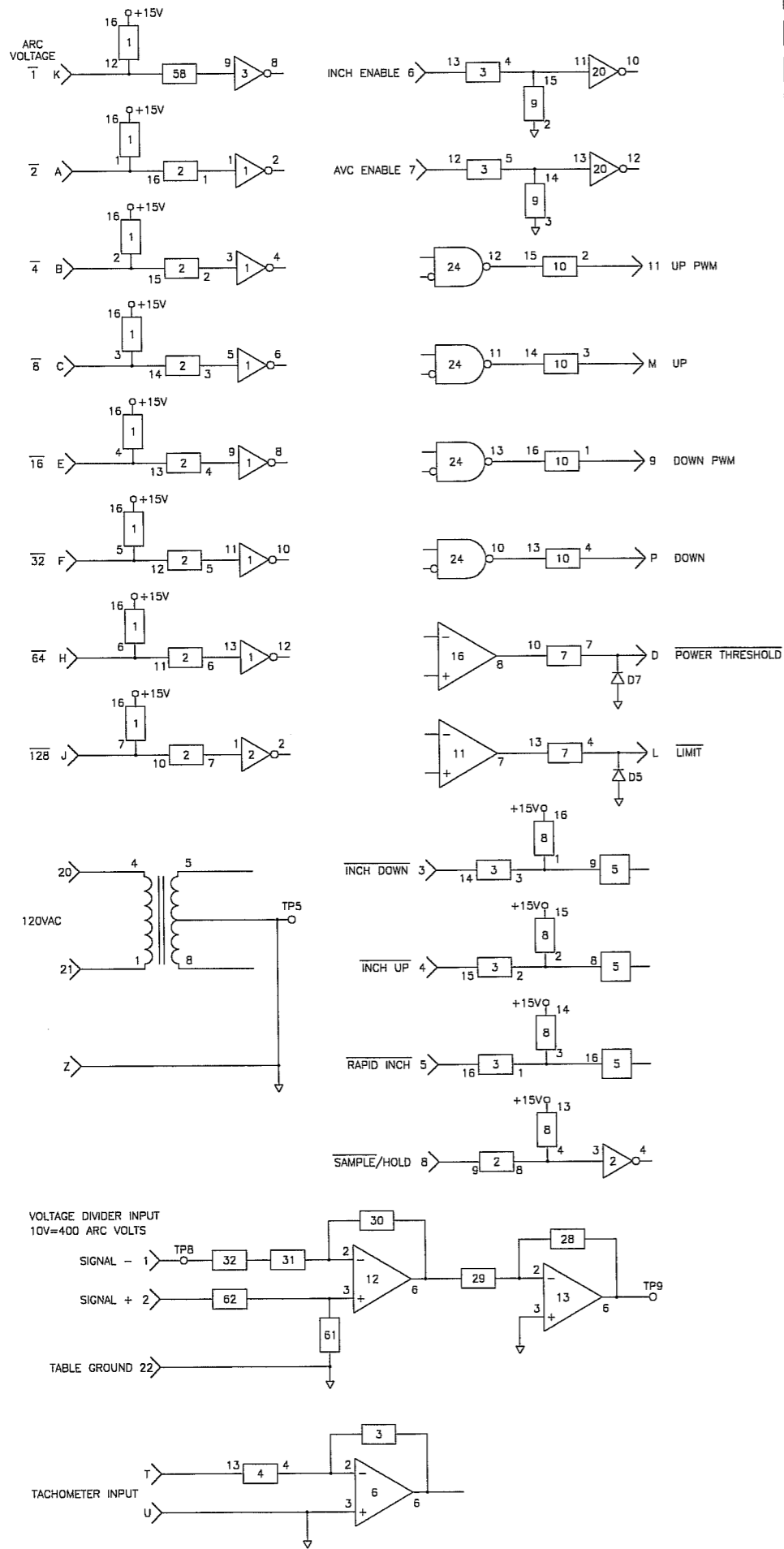
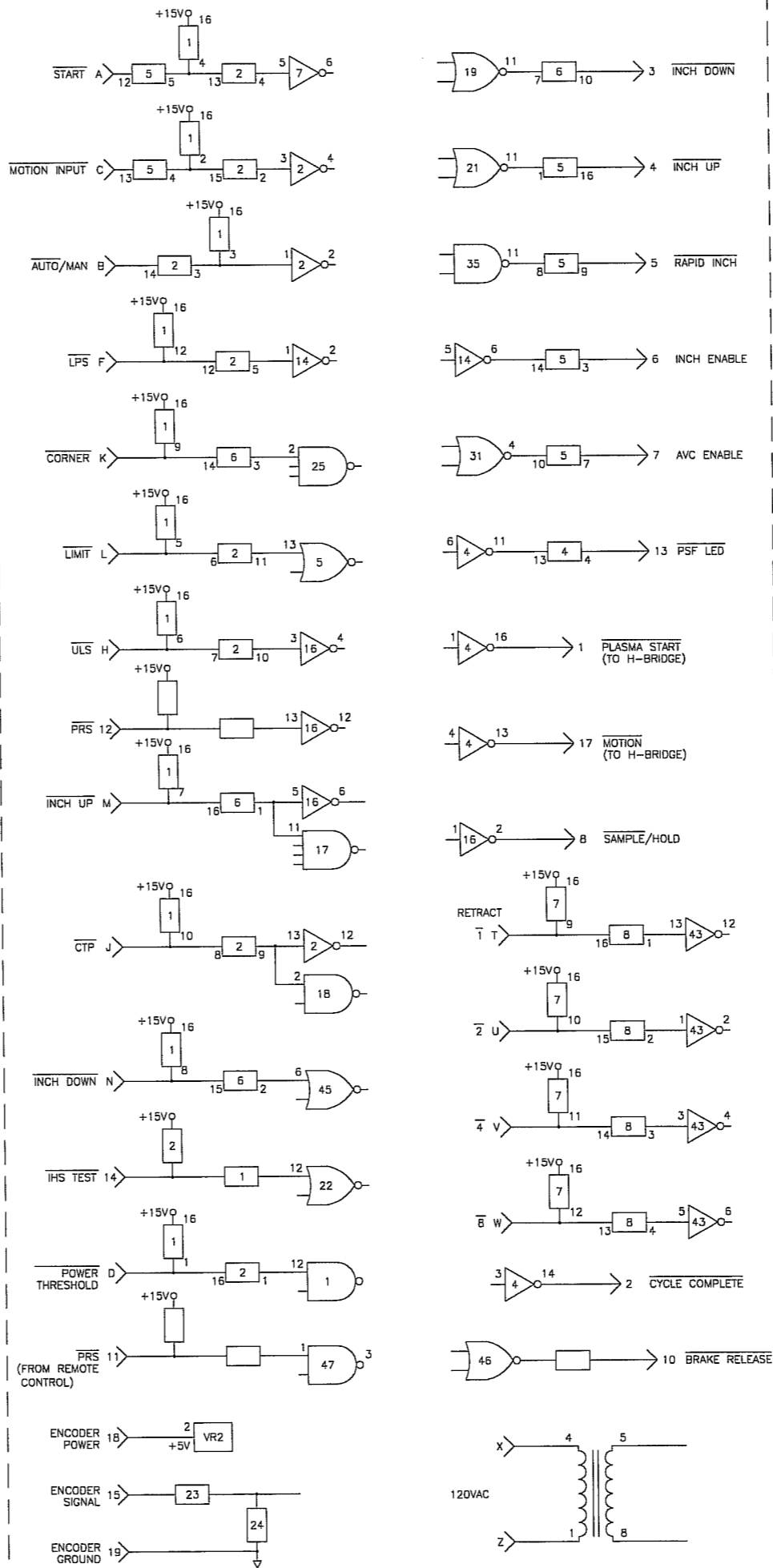


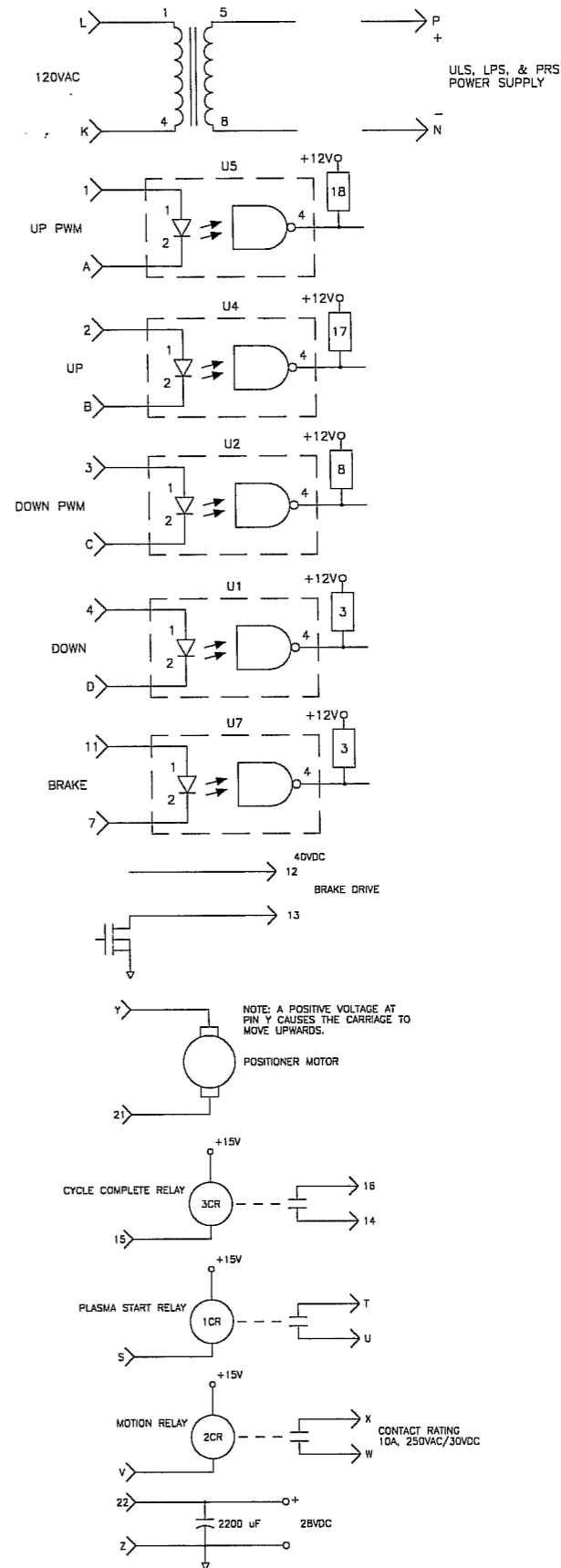
SERVO PCB
P10 CONNECTOR



LOGIC PCB
P11 CONNECTOR



H BRIDGE PCB
P9 CONNECTOR



InnerLogic, Inc.

SCALE: NONE	APPROVED BY: JTH	DRAWN BY: JTH
DATE: 8-14-96		REVISION: 0
RSVP-401 PCB 1/0		
TOLERANCE: .XX	.XXX	ANGLE
		DRAWING NUMBER: 401700

INTERFACE BOX

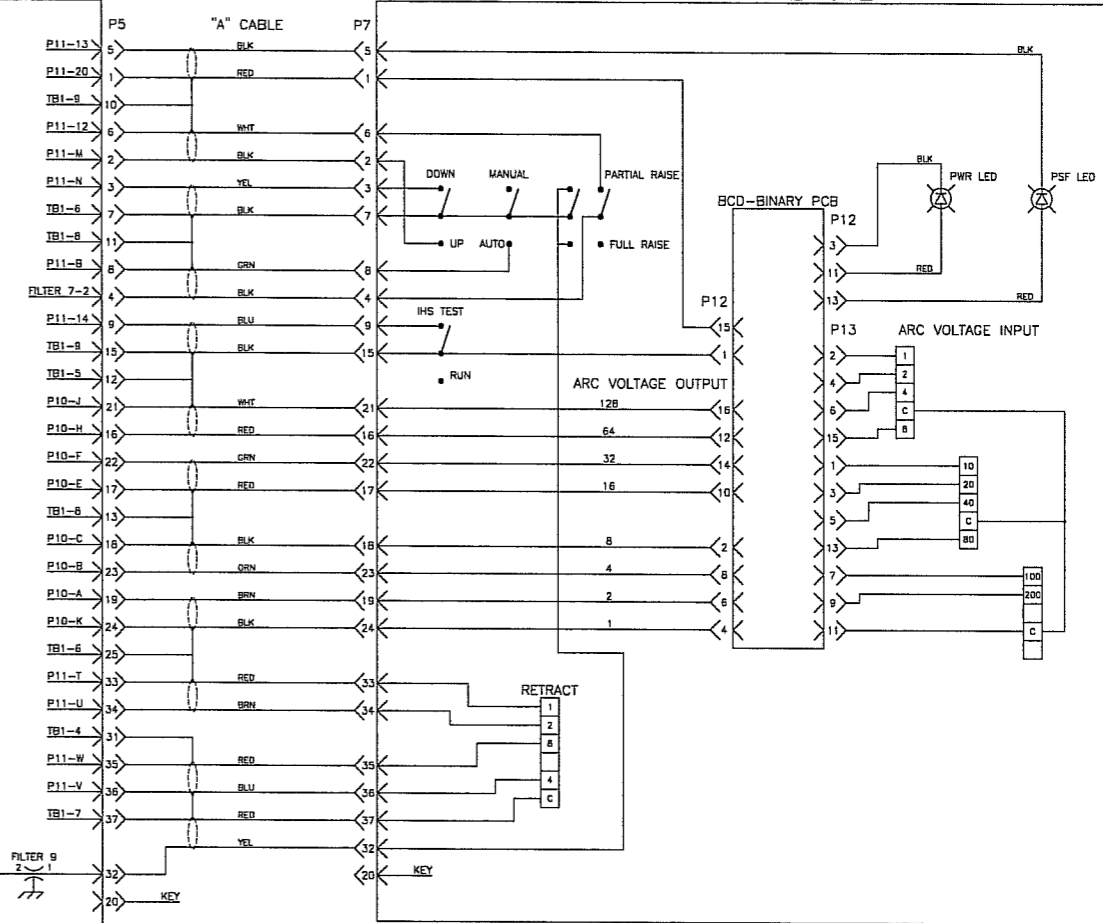
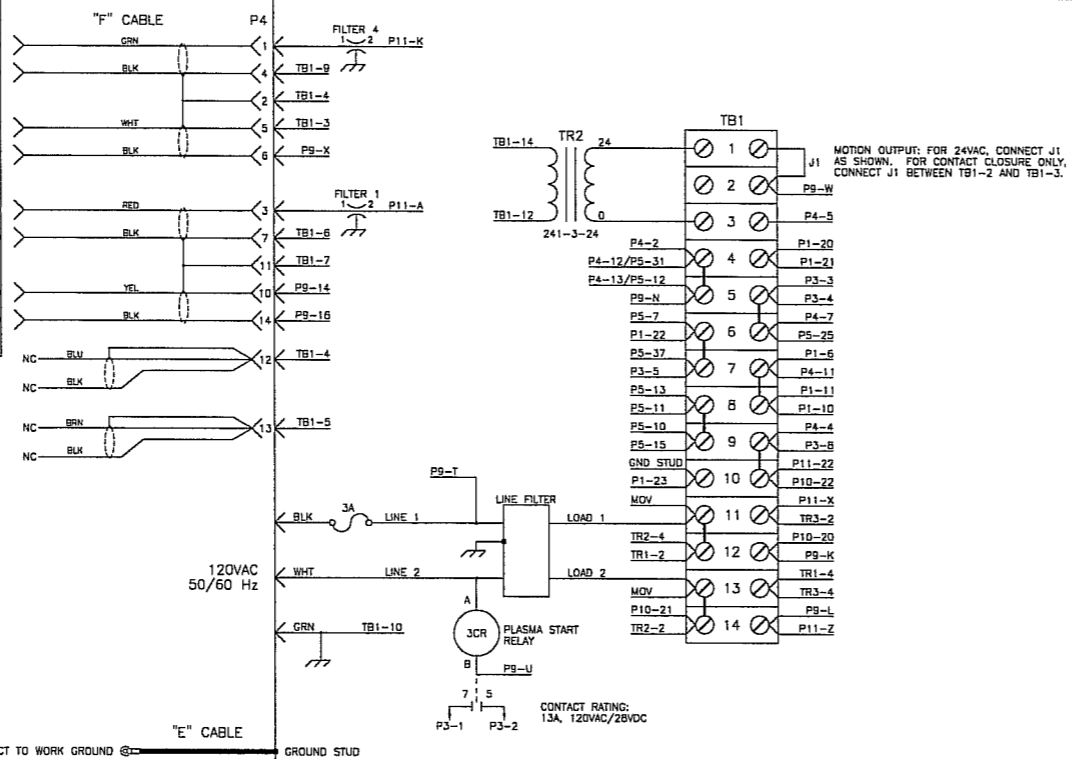
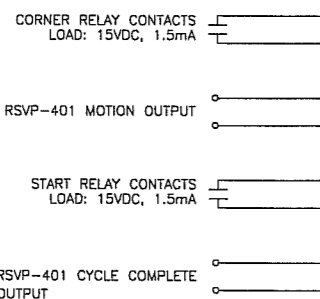
RSVP-401 CONTROL CONSOLE

RSVP-401 REMOTE

NOTE: ARC VOLTAGE CONTROL IS DISABLED WHEN CORNER CONTACTS ARE CLOSED.

NOTE: SEE TB1 FOR AVAILABLE MOTION SIGNALS.

NOTE: RSVP-401 BEGINS SEQUENCE WHEN START CONTACTS ARE CLOSED.



H BRIDGE PCB P10

P10-11	1	A	P10-12
P10-M	2	B	P10-N
P10-9	3	C	P10-10
P10-P	4	D	P10-R
TR3-9	5	E	
TR3-8	6	F	
P11-10	7	H	
	8	J	
P11-22	9	K	TB1-12
P11-20	10	L	TB1-14
P11-15	11	M	
P1-16	12	N	TB1-9
P4-10	13	P	FILTER B-2
P11-2	14	R	P11-1
P4-14	15	S	LINE J
	16	T	3CR-B
	17	U	P11-17
	18	V	TB1-2
	19	W	P4-6
	20	X	P1-4
P1-1	21	Y	P1-4
BR1(-)	22	Z	BR1(+)

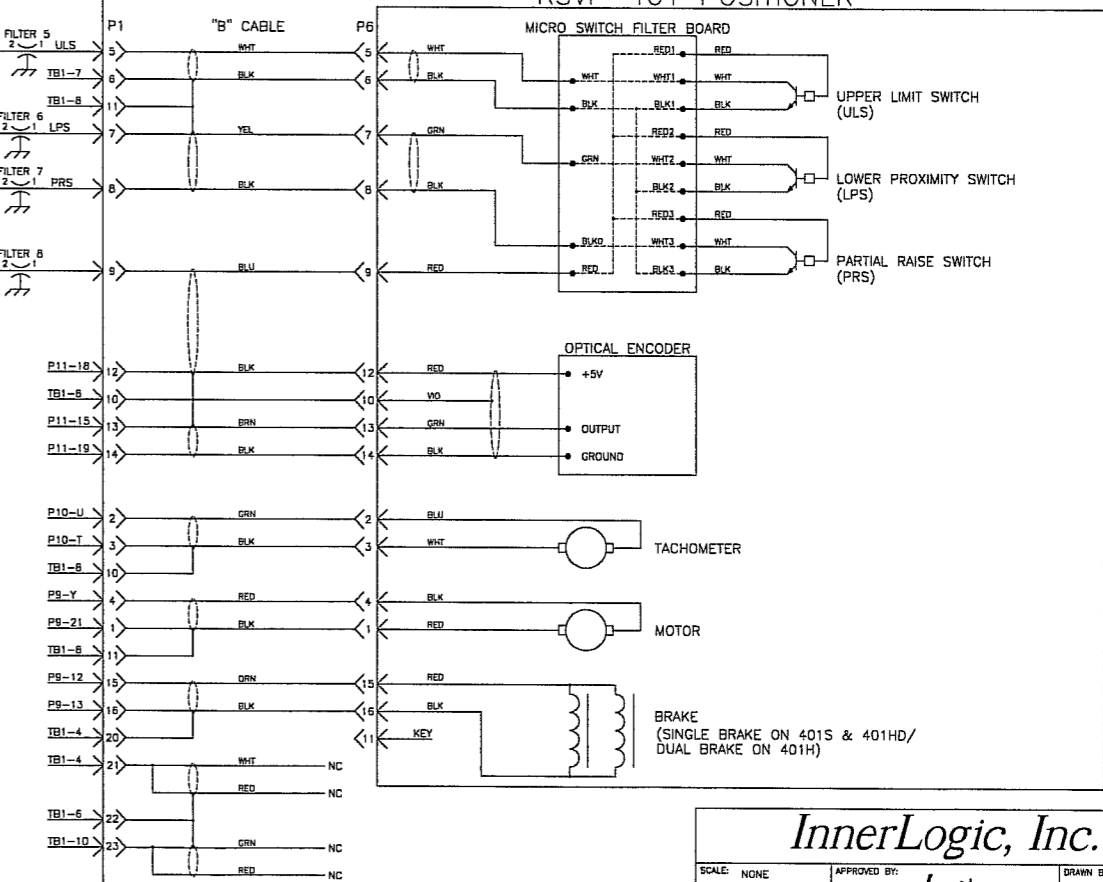
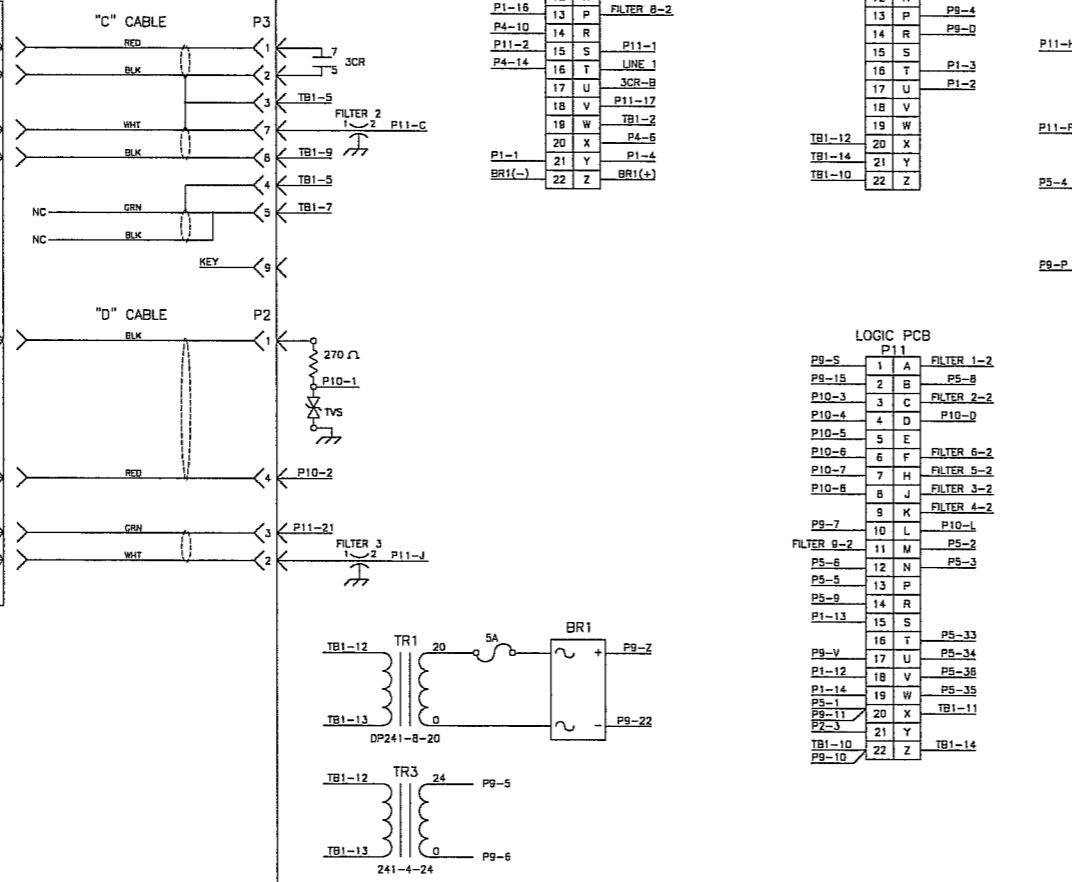
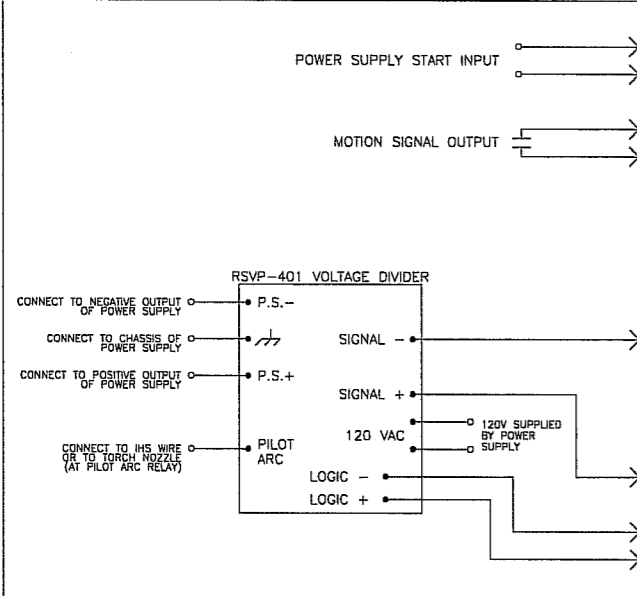
SERVO PCB P10

TVS-1	1	A	P5-18
P2-4	2	B	P5-23
P11-3	3	C	P5-18
P11-4	4	D	P11-0
P11-5	5	E	P5-17
P11-6	6	F	P5-22
P11-7	7	H	P5-16
P11-8	8	J	P5-21
P9-3	9	K	P5-24
P9-C	10	L	P11-L
P8-1	11	M	P8-2
P8-A	12	N	P8-B
	13	P	P8-4
	14	R	P8-0
	15	S	P1-3
	16	T	P1-2
	17	U	
	18	V	
	19	W	
TB1-12	20	X	
TB1-14	21	Y	
TB1-10	22	Z	

LOGIC PCB P11

P9-5	1	A	FILTER 1-2
P9-15	2	B	P5-8
P10-3	3	C	FILTER 2-2
P10-4	4	D	P10-D
P10-5	5	E	
P10-6	6	F	FILTER 6-2
P10-7	7	H	FILTER 5-2
P10-8	8	J	FILTER 3-2
P9-7	9	K	FILTER 4-2
FILTER B-2	10	L	P10-L
P5-6	11	M	P5-2
P5-5	12	N	P5-3
P5-9	13	P	
P1-13	14	R	
	15	S	P5-33
P9-V	16	T	P5-34
P1-12	17	U	P5-36
P1-14	18	V	P5-35
P5-1	19	W	P5-35
P9-11	20	X	TB1-11
P2-3	21	Y	
P9-10	22	Z	TB1-14

PLASMA POWER SUPPLY



InnerLogic, Inc.
SCALE: NONE APPROVED BY: JTH DRAWN BY: JTH
DATE: 5/28/98 REVISION: 3
RSVP-401 SYSTEM SCHEMATIC
TOLERANCE: DRAWING NUMBER:

INTERFACE BOX

RSVP-401 CONTROL CONSOLE

RSVP-401 REMOTE

NOTE: ARC VOLTAGE CONTROL IS DISABLED WHEN CORNER CONTACTS ARE CLOSED.

NOTE: SEE TB1 FOR AVAILABLE MOTION SIGNALS.

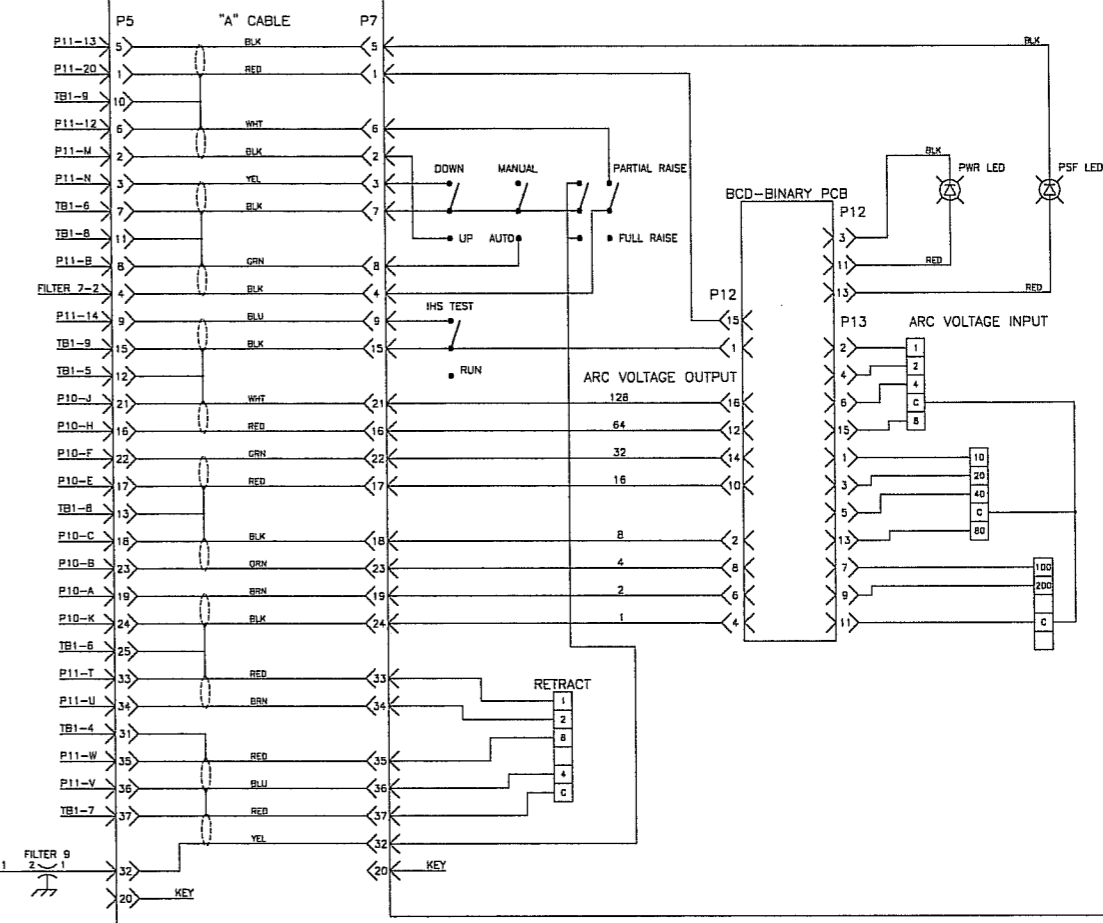
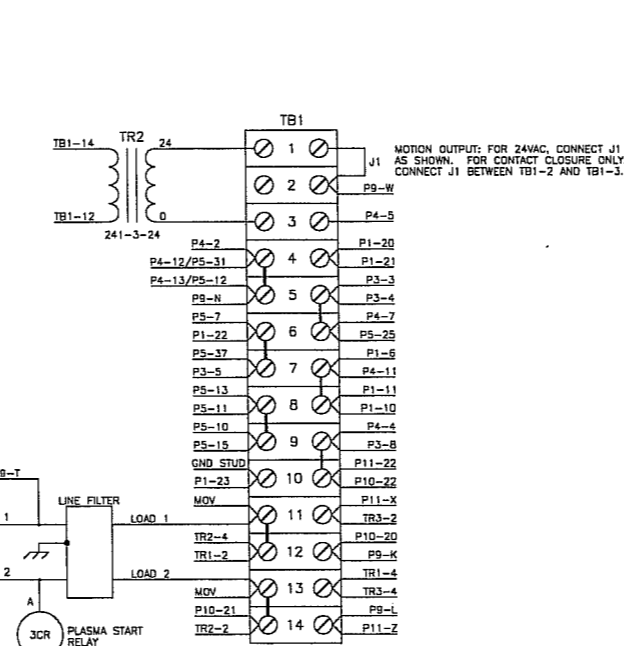
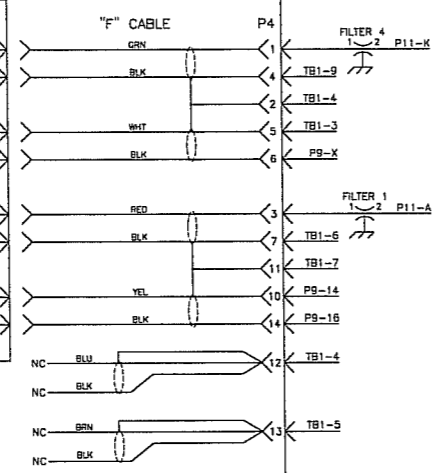
NOTE: RSVP-401 BEGINS SEQUENCE WHEN START CONTACTS ARE CLOSED.

CORNER RELAY CONTACTS LOAD: 15VDC, 1.5mA

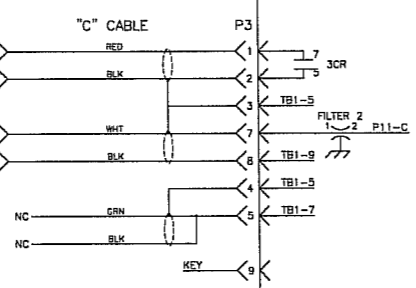
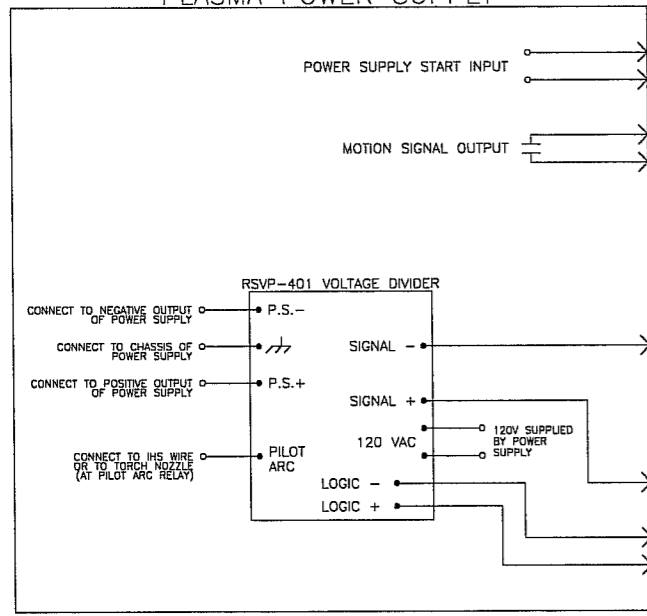
RSVP-401 MOTION OUTPUT

START RELAY CONTACTS LOAD: 15VDC, 1.5mA

RSVP-401 CYCLE COMPLETE OUTPUT



PLASMA POWER SUPPLY



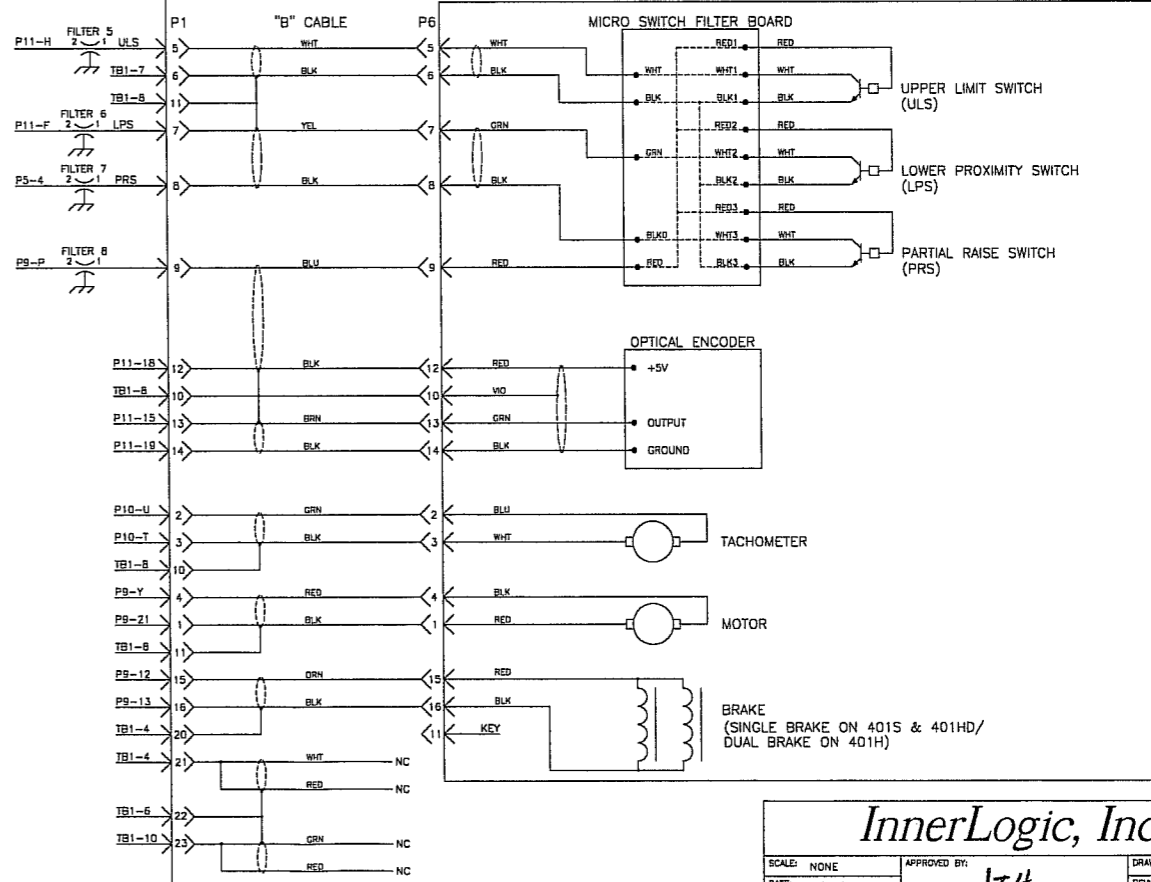
H BRIDGE PCB P9

P10-11	1	A	P10-12
P10-M	2	B	P10-N
P10-9	3	C	P10-10
P10-P	4	D	P10-R
TR3-5	5	E	
TR3-6	6	F	
P11-10	7	H	
	8	J	
P11-22	9	K	TB1-12
P11-20	10	L	TB1-14
P1-15	11	M	
P1-16	12	N	TB1-5
P4-10	13	P	
P11-2	14	R	P11-1
P4-14	15	S	LINE 1
	16	T	SCR-B
	17	U	P11-17
	18	V	P11-2
	19	W	TB1-2
	20	X	P4-6
P1-1	21	Y	P1-4
BR1(-)	22	Z	BR1(+)

LOGIC PCB P11

P9-S	1	A	FILTER 1-2
P9-15	2	B	P5-8
P10-3	3	C	FILTER 2-2
P10-4	4	D	P10-D
P10-5	5	E	
P10-6	6	F	FILTER 6-2
P10-7	7	H	FILTER 5-2
P10-8	8	J	FILTER 3-2
P9-7	9	K	FILTER 4-2
FILTER 9-2	10	L	P10-L
P5-6	11	M	P5-2
P5-5	12	N	P5-3
P5-9	13	P	
P1-13	14	R	
	15	S	P5-33
P9-V	16	T	P5-34
P1-12	17	U	P5-36
P1-14	18	V	P5-35
P5-1	19	W	P5-39
P9-11	20	X	TB1-11
P2-3	21	Y	
P9-10	22	Z	TB1-14

RSVP-401 POSITIONER



InnerLogic, Inc.

SCALE: NONE APPROVED BY: JTH DRAWN BY: JTH
DATE: 5/28/98 REVISION: 1

RSVP-401 SYSTEM SCHEMATIC (220V 50Hz)

TOLERANCE: XX YYY ANGLE DRAWING NUMBER: