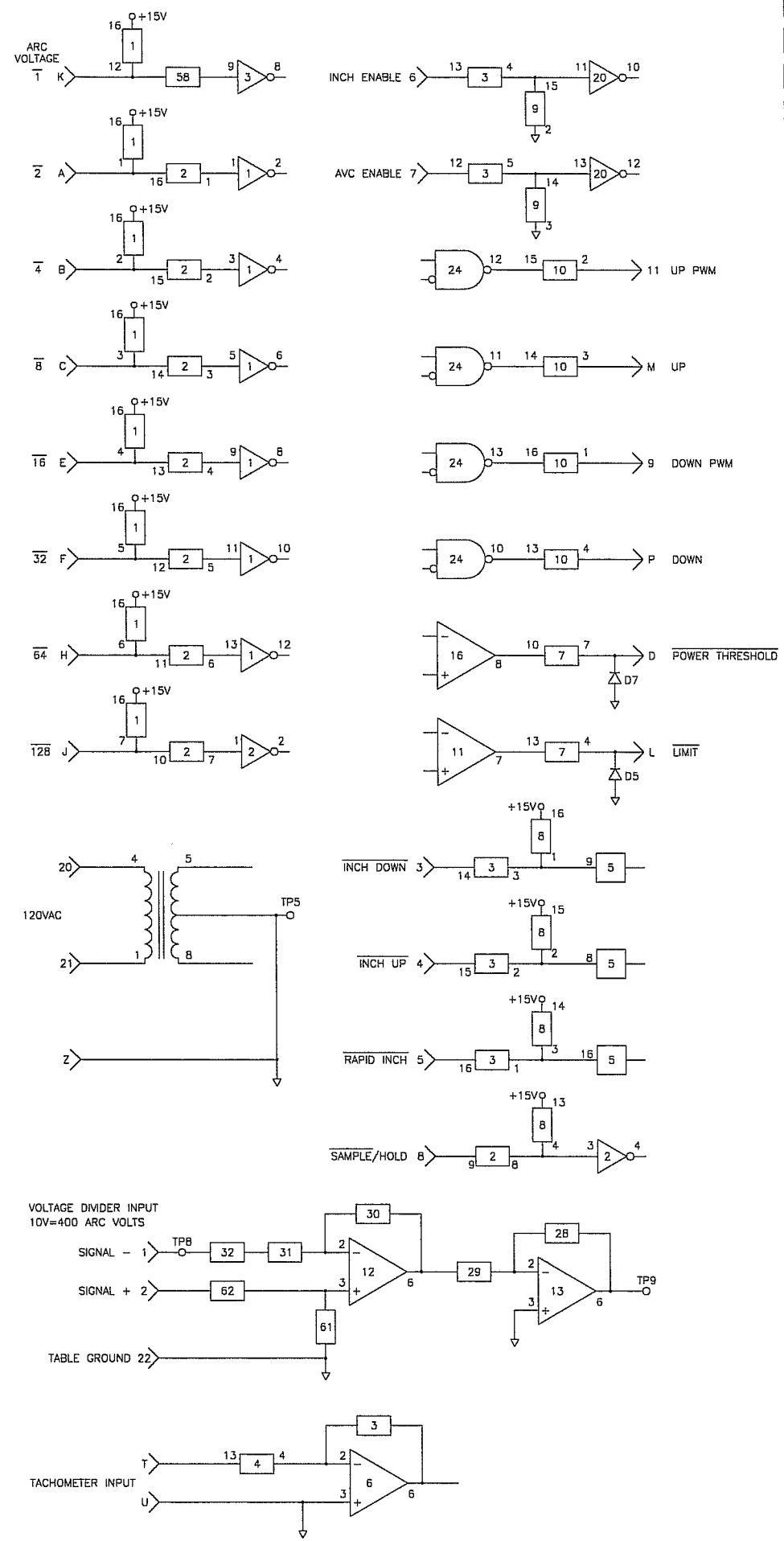
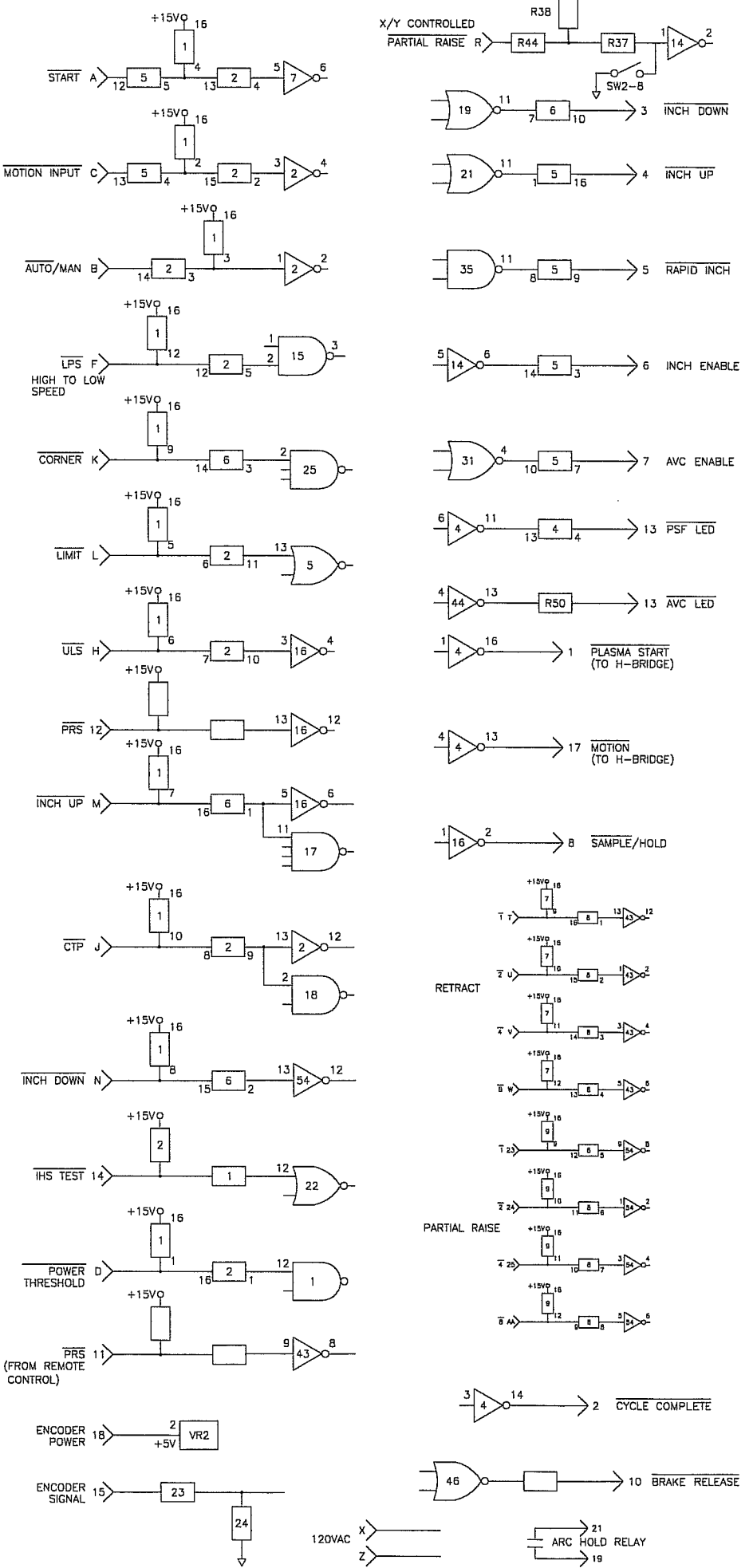


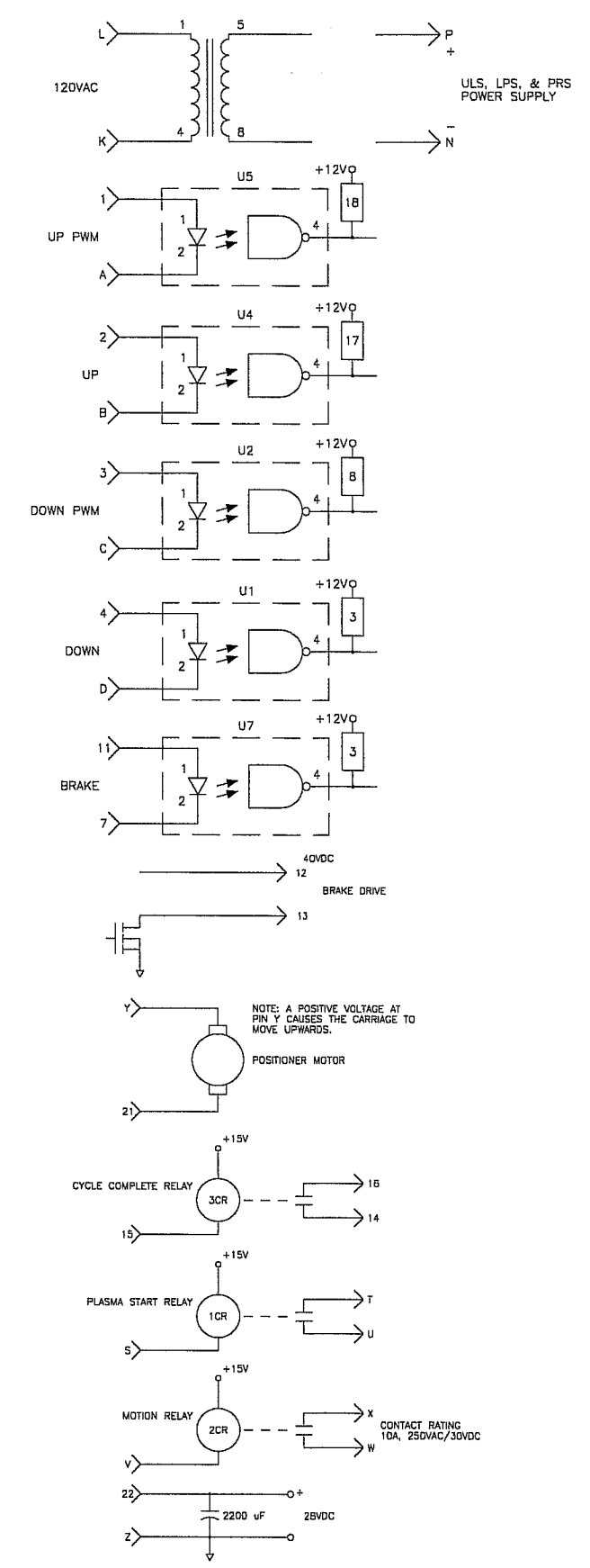
SERVO PCB  
P10 CONNECTOR



LOGIC PCB  
P11 CONNECTOR



H BRIDGE PCB  
P9 CONNECTOR



**InnerLogic, Inc.**

SCALE: NONE	APPROVED BY: <i>JTH</i>	DRAWN BY: SFH
DATE: 9/10/98		REVISION: 0
RSVP-421 PCB I/O		
TOLERANCE:		DRAWING NUMBER:

INTERFACE BOX

RSVP-421 CONTROL CONSOLE

RSVP-421 REMOTE

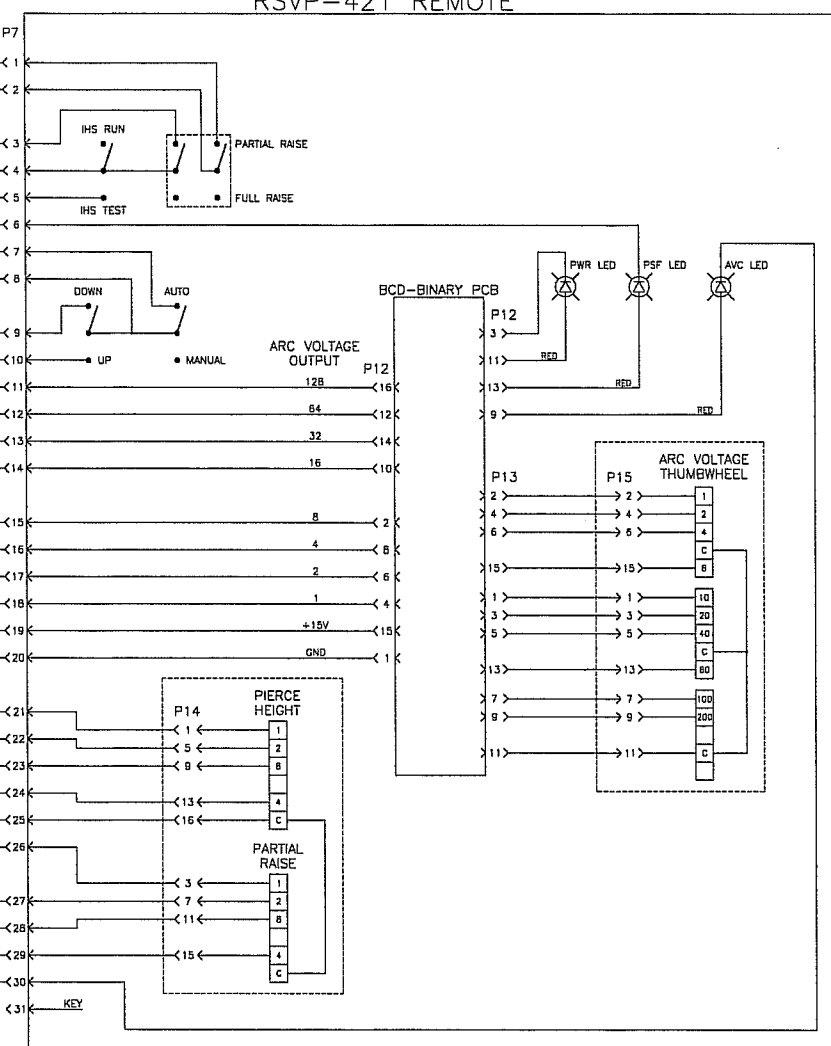
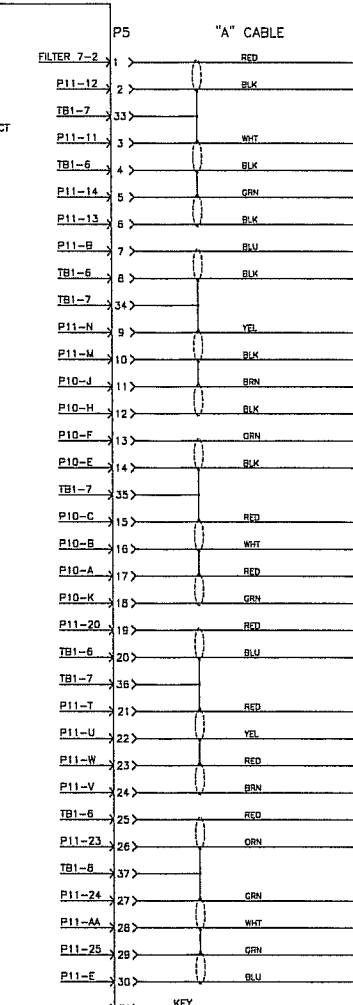
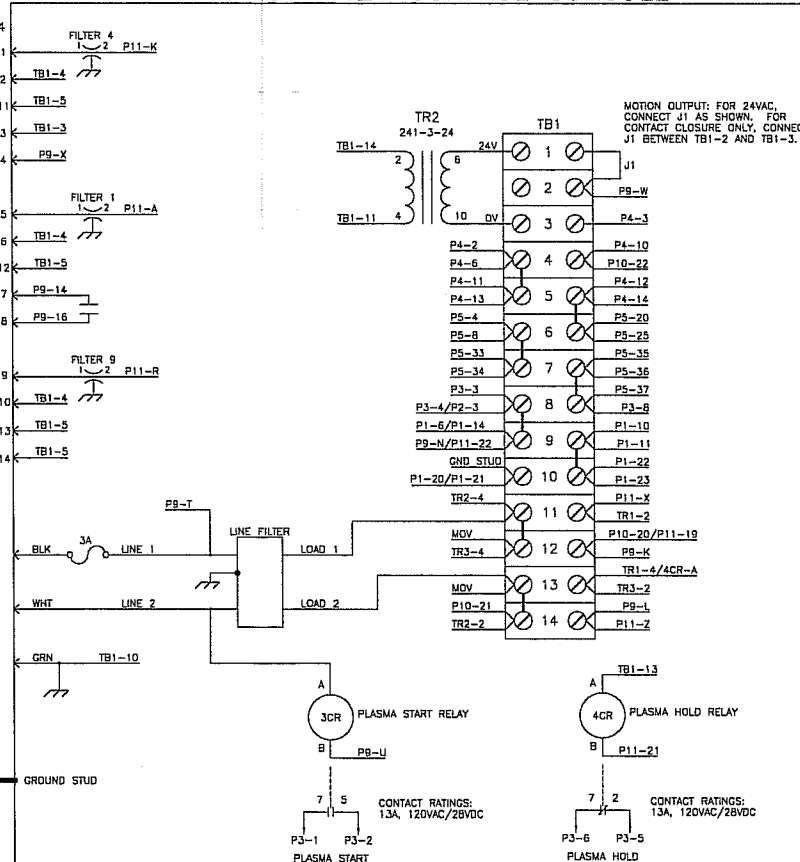
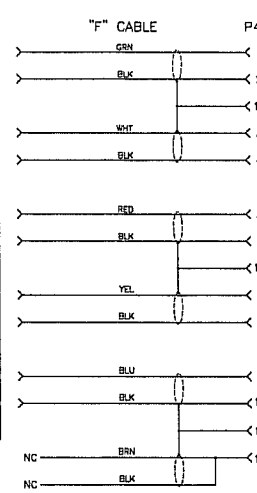
NOTE: ARC VOLTAGE CONTROL IS DISABLED WHEN CORNER CONTACTS ARE CLOSED.

NOTE: SEE TB1 FOR AVAILABLE MOTION SIGNALS.

NOTE: RSVP-421 BEGINS SEQUENCE WHEN START CONTACTS ARE CLOSED.

NOTE: IN AUTO, CONTACTS ARE CLOSED WHEN CYCLE IS COMPLETE. CONTACTS ARE ALWAYS CLOSED WHILE IN MANUAL.

NOTE: PROGRAMMABLE PARTIAL RAISE IS DISABLED WHEN CONTACTS ARE OPEN.



PLASMA POWER SUPPLY

