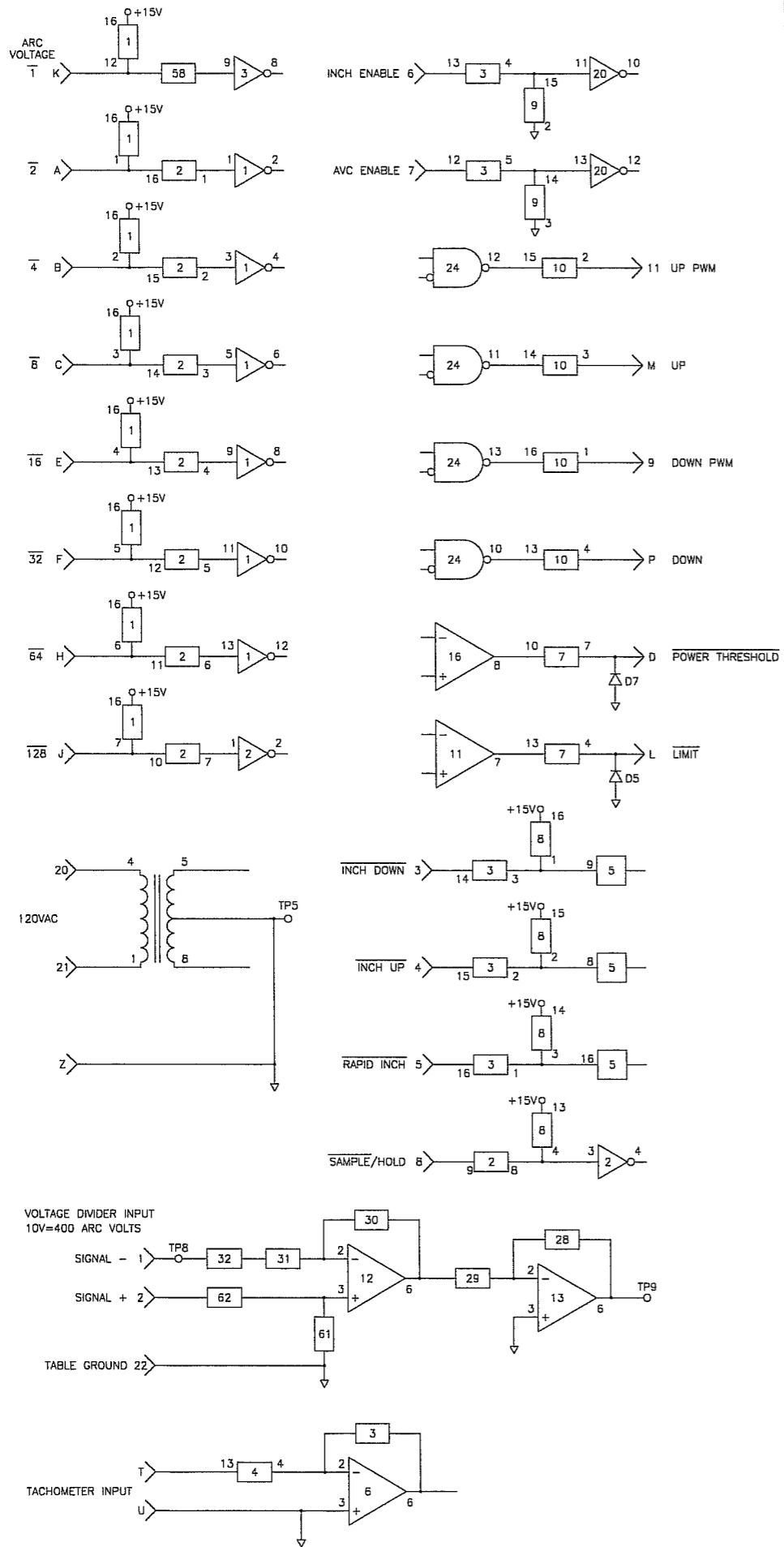
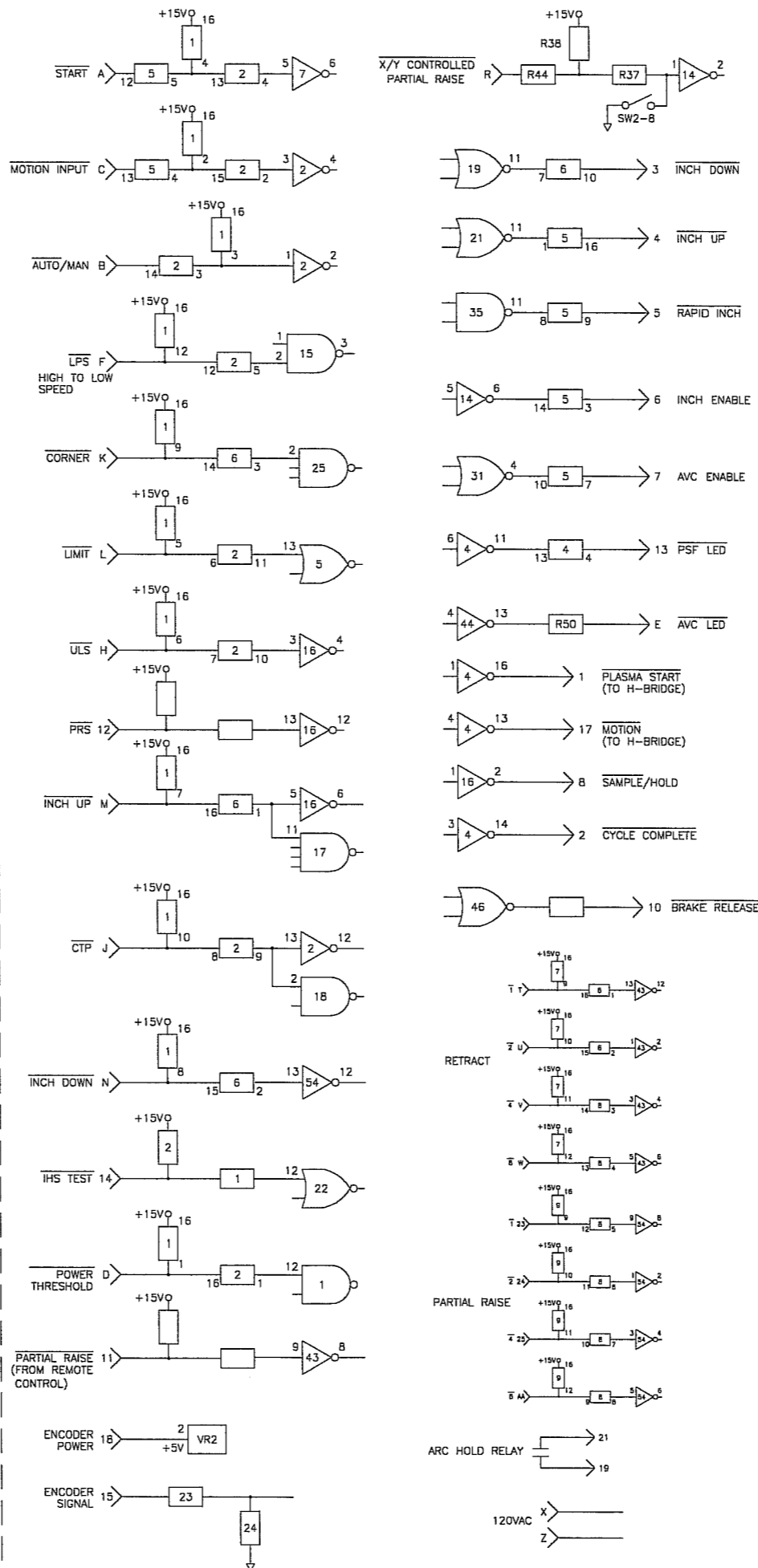


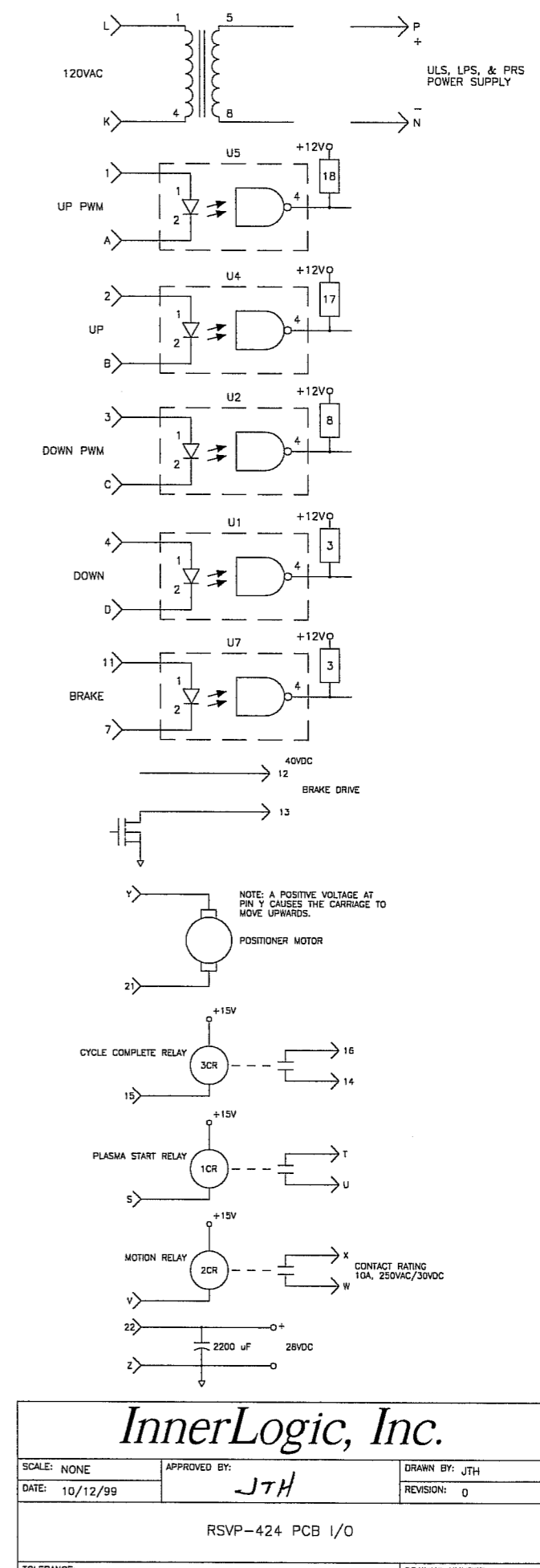
SERVO PCB
P10 CONNECTOR



LOGIC PCB
P11 CONNECTOR



H BRIDGE PCB
P9 CONNECTOR



INTERFACE BOX

NOTE: ARC VOLTAGE CONTROL IS DISABLED WHEN CORNER CONTACTS ARE CLOSED.

NOTE: SEE TB1 FOR AVAILABLE MOTION SIGNALS.

NOTE: RSVP-424 BEGINS SEQUENCE WHEN START CONTACTS ARE CLOSED.

NOTE: IN AUTO, CONTACTS ARE CLOSED WHEN CYCLE IS COMPLETE. CONTACTS ARE ALWAYS CLOSED WHILE IN MANUAL.

NOTE: PROGRAMMABLE PARTIAL RAISE IS DISABLED WHEN CONTACTS ARE OPEN.

CORNER RELAY CONTACTS
LOAD: 15VDC, 1.5mA

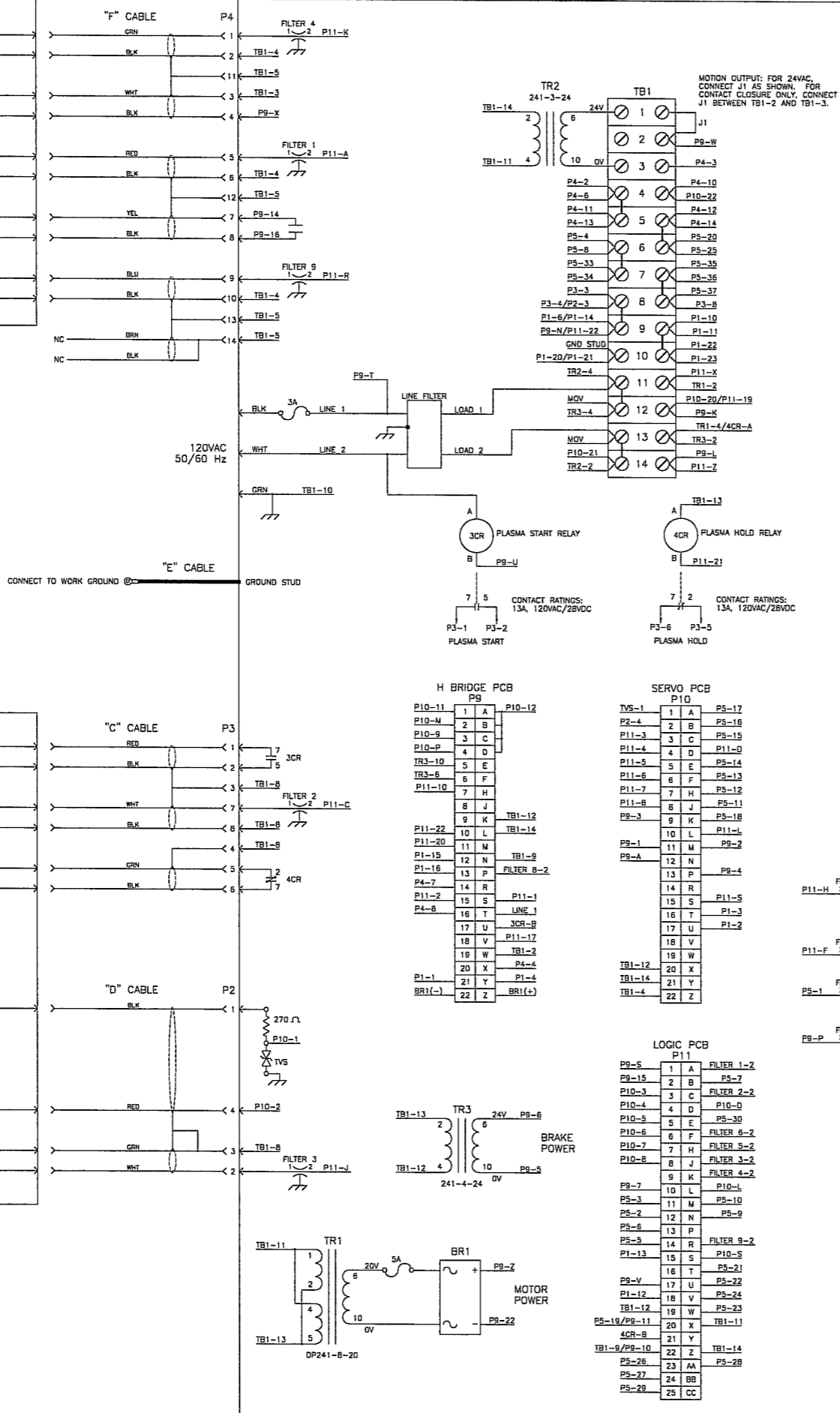
RSVP-424 MOTION OUTPUT

START RELAY CONTACTS
LOAD: 15VDC, 1.5mA

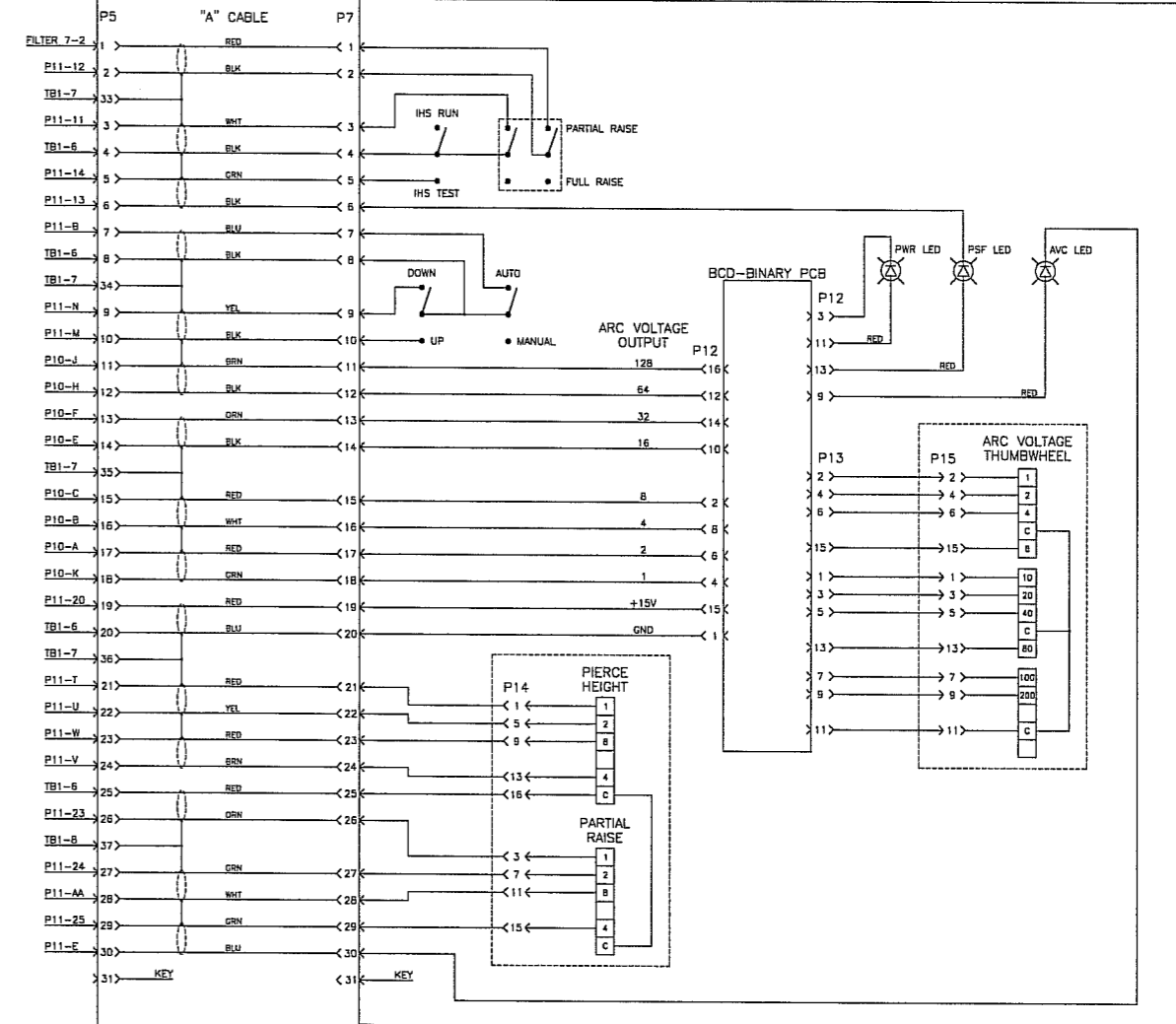
RSVP-424 CYCLE COMPLETE OUTPUT

PARTIAL RAISE ENABLE
LOAD: 15VDC, 1.5mA

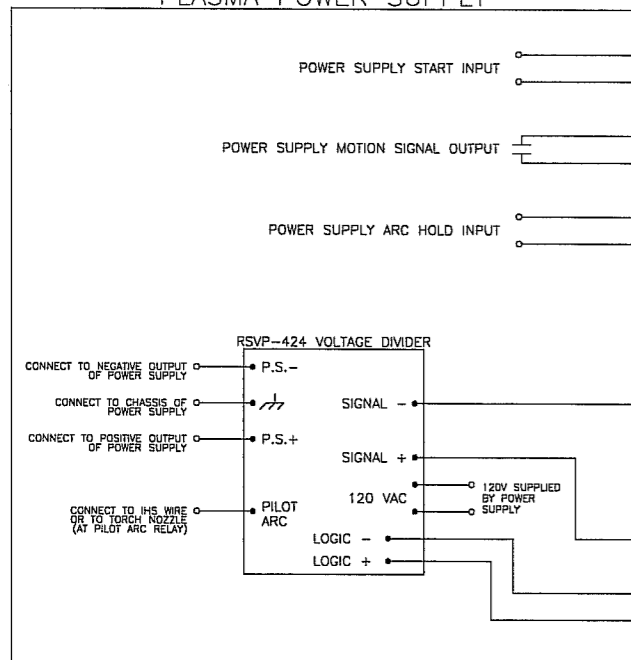
RSVP-424 CONTROL CONSOLE



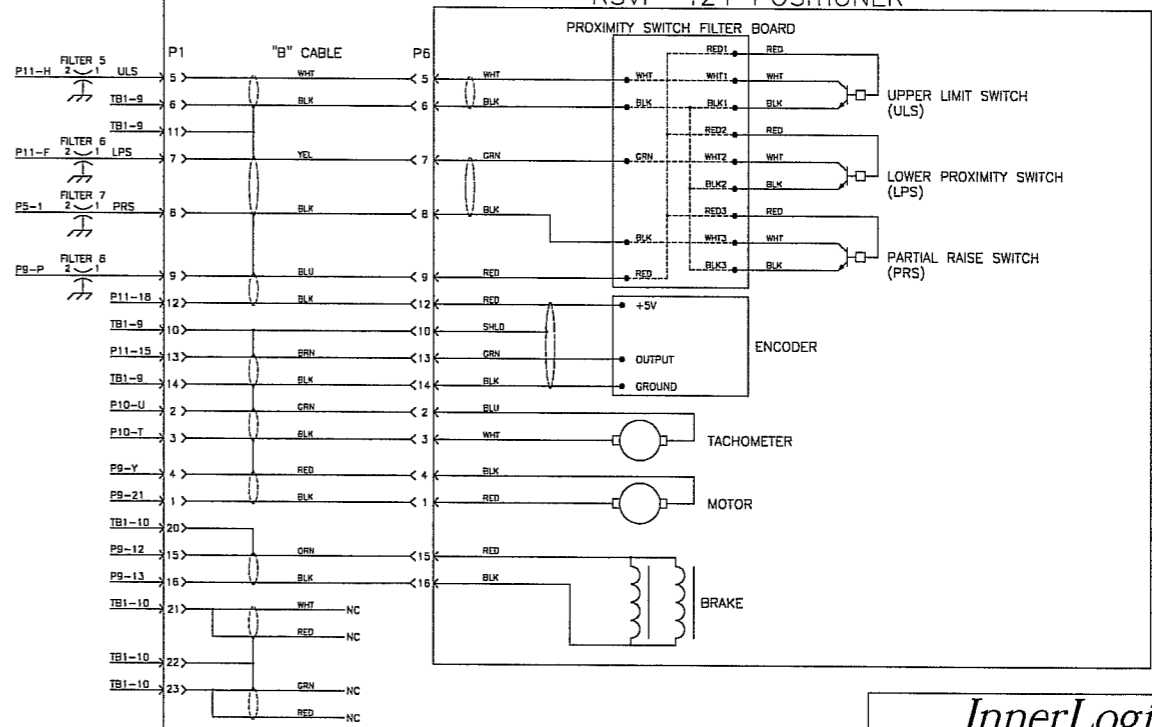
RSVP-424 REMOTE



PLASMA POWER SUPPLY



RSVP-424 POSITIONER



INTERFACE BOX

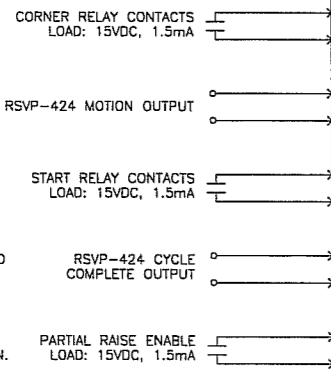
NOTE: ARC VOLTAGE CONTROL IS DISABLED WHEN CORNER CONTACTS ARE CLOSED.

NOTE: SEE TB1 FOR AVAILABLE MOTION SIGNALS.

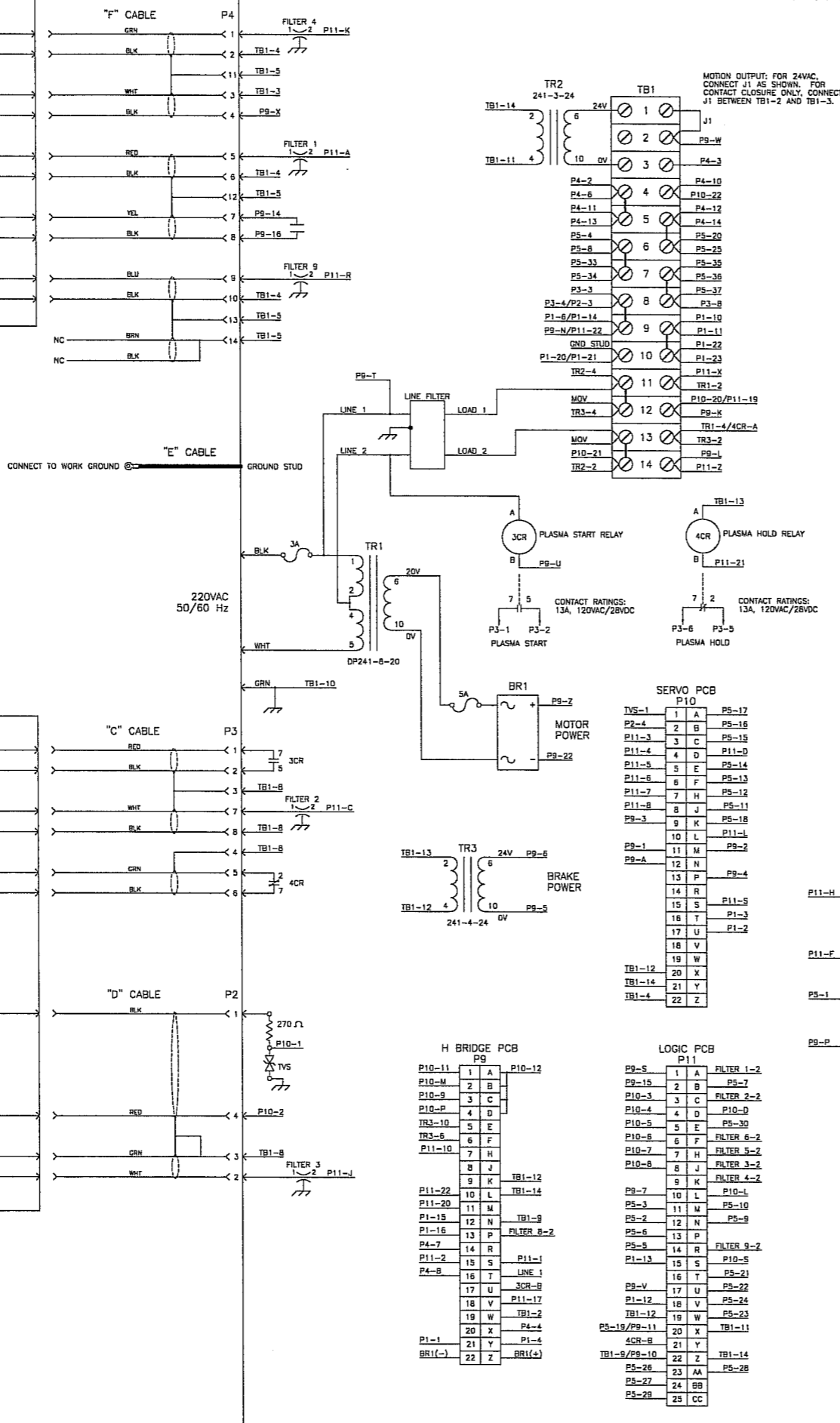
NOTE: RSVP-424 BEGINS SEQUENCE WHEN START CONTACTS ARE CLOSED.

NOTE: IN AUTO, CONTACTS ARE CLOSED WHEN CYCLE IS COMPLETE. CONTACTS ARE ALWAYS CLOSED WHILE IN MANUAL.

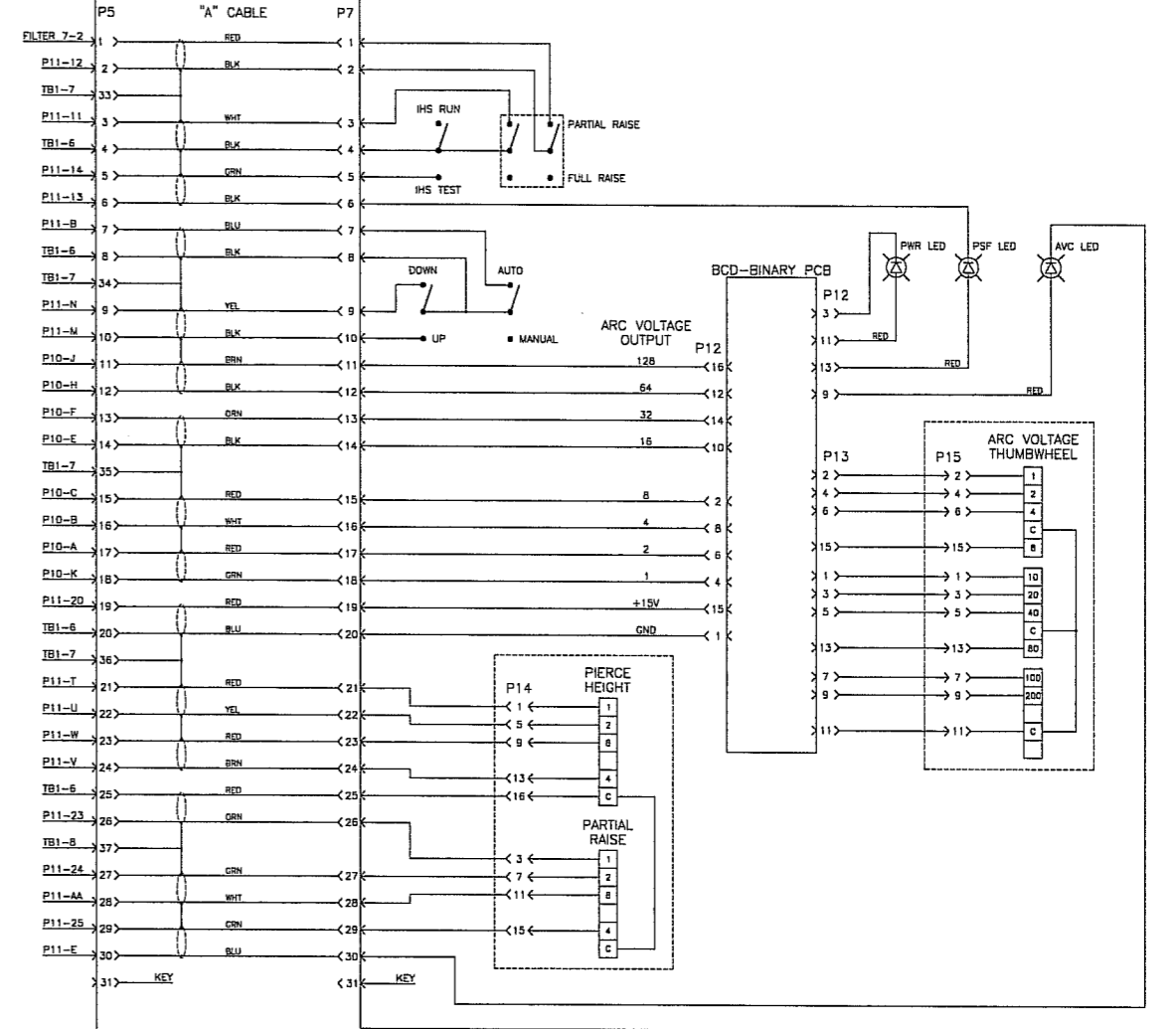
NOTE: PROGRAMMABLE PARTIAL RAISE IS DISABLED WHEN CONTACTS ARE OPEN.



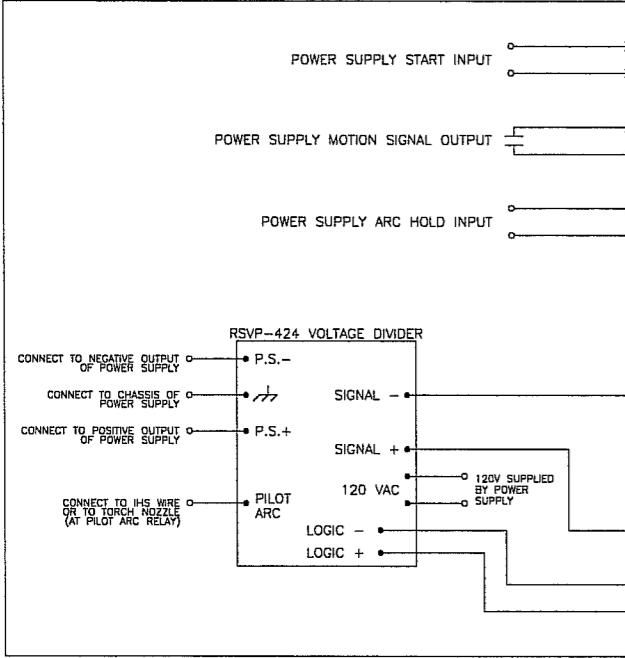
RSVP-424 CONTROL CONSOLE



RSVP-424 REMOTE



PLASMA POWER SUPPLY



RSVP-424 POSITIONER

