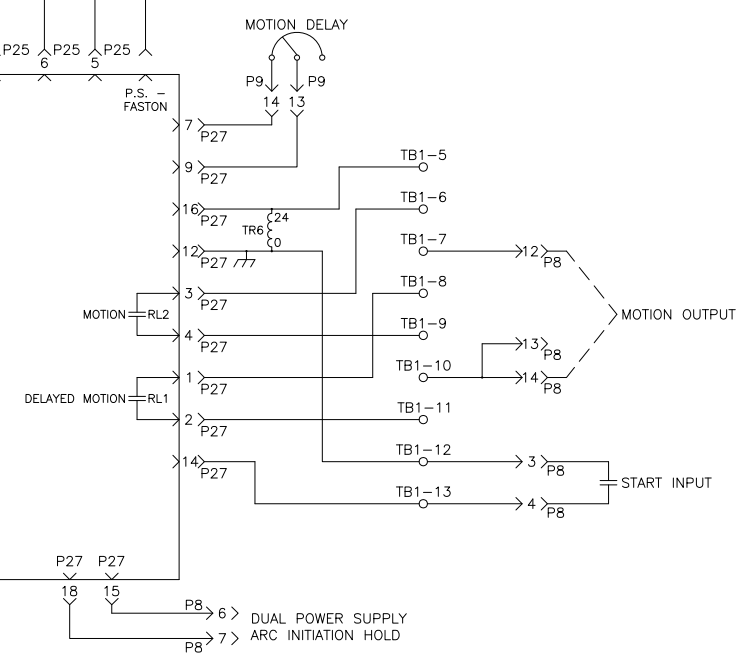
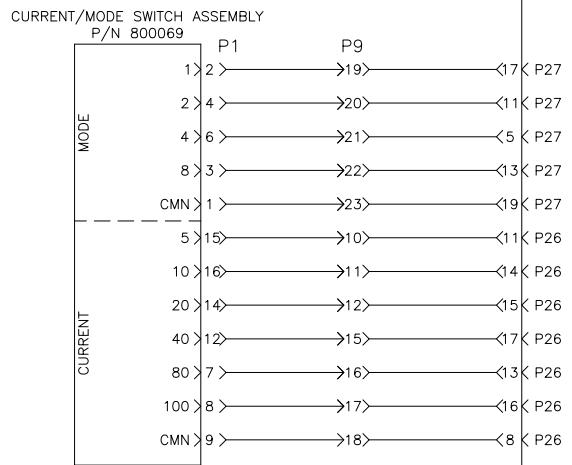


TB1 JUMPER LOCATIONS

OUTPUT TYPE	MOTION	DELAYED MOTION (USING DELAY POT. ON FRONT PANEL)
CONTACTS ONLY	6-7, 9-10	7-8, 10-11
24VAC	5-6, 7-9, 10-12	5-8, 7-11, 10-12



KALIBURN

SCALE: NONE	APPROVED BY:	DRAWN BY: JTH
DATE: 5/17/07		REVISION: 4
SR-100i SYSTEM SCHEMATIC (208V THREE PHASE SHOWN)		
TOLERANCE: .XX	.XXX	ANGLE
		DRAWING NUMBER: 800085